

KD90XU

Product family	Hood
Hood Type	Decorative wall hood
Design	Chimney
Extraction	Vented
Material	Stainless steel
Stainless steel type	Brushed
EAN code	8017709115869
Aesthetics	Classic
Color	Stainless steel
Finishing	Satin
Silkscreen color	Black
Logo	Embossed



Controls

Control setting	Control knobs	Control knobs	Classic
No. of controls	2	Controls color	Stainless steel effect

Program / Functions

Speed levels	4
--------------	---

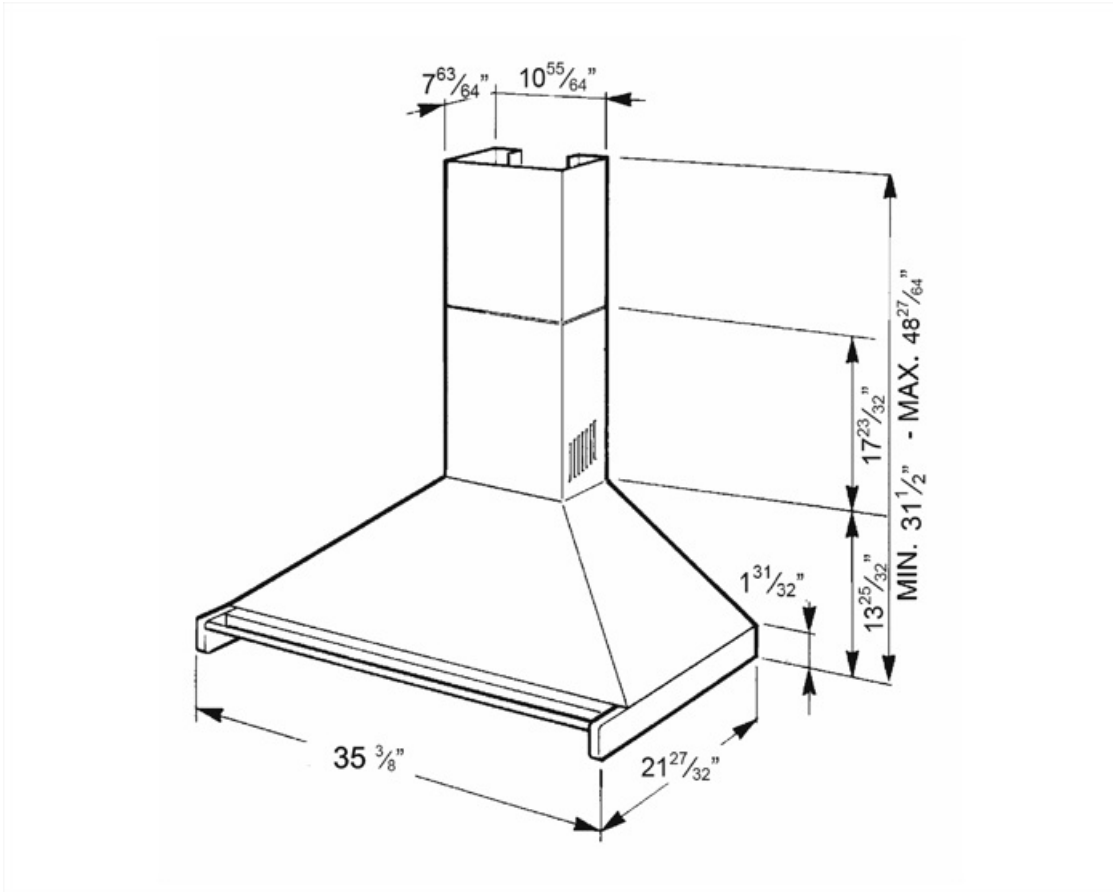
Technical Features

			
No. of lights	2	No. of filters	3
Lighting	Halogen	Anti-grease filters	Aluminum
Light power	20 W	Vent outlet	5 7/8 "
Light color temperature scale (°K)	3000 °K	Minimum distance from gas cooktop	650 "
Maximum extraction capacity at free mode	677 CFM	Minimum distance from electric cooktop	650 "
Motor power	455 W	Non-return valve	Yes

	Extraction rate [CFM]	Noise level [dBA]
Speed level 1	275.5	48
Speed 2	411.5	55
Speed 3	551	61
Speed level 4	665	69

Electrical Connection

Electrical connection rating	495 W	Frequency (Hz)	60 Hz
Voltage	120 V	Power supply cable length	1000 "



Compatible Accessories

FLT6U



KITCMNKD

Chimney extension dimension 202.8 *
276 * 800



KITALLFC

Universal Charcoal filter Stainless Steel AISI 304 The filter can be washed in dishwasher 50 °C (water and suitable detergent) and to dry it put in the oven 180°C 25 minutes

Symbols glossary



Filters: Model has filters to help remove grease from the steam emanating from the pans during cooking.



Lights: All cooker hoods feature lights to illuminate the cooking area or add to the ambience of the kitchen.