

KD91XE2

Product family	Hood
Hood Type	Decorative wall hood
Design	Chimney
Extraction	Extraction
Material	Stainless steel
Type of steel	Brushed
EAN code	8017709285753
Hood width	90 cm



Aesthetics

Aesthetic Colour	Universale Stainless steel	Finishing Logo	Satin Embossed
------------------	----------------------------	----------------	----------------

Controls

Control setting	Buttons
-----------------	---------

Programme / Functions

No. of speeds	3
---------------	---

Technical Features

			
No. of lights	2	No. of filters	3
Light type	LED	Anti-grease filters	Aluminium
Light Power	4 W	Vent outlet	150 mm
Light color temperature scale (°K)	3000 °K	Minimum distance from GAS hob	650 mm
Free outlet maximum capacity	620 m ³ /h	Minimum distance from ELECTRIC hob	500 mm
Motor power	140 W		

	Extraction rate IEC 61591 [m ³ /h]	Noise level IEC 60704-2-13 [dB(A)]
Speed 1	280	54
Speed 2	420	62
Speed 3	580	70

Accessories Included

Tube reduction Yes

Performance / Energy Label



Annual Efficiency Consumption (AEChood) 77 kWh/a

Energy efficiency class (EEC) C

Fluid Dynamic Efficiency (FDE) 15.30

Fluid Dynamic Efficiency class (FDEC) D

Lighting Efficiency (LE) 17 lux/W

Lighting Efficiency Class (LEC) C

Grease Filtering Efficiency (GFE) 75.1 %

Grease Filtering Efficiency Class (GFEC) C

Air flow at minimum speed (Qmin) 280 m³/h

Air flow at maximum speed (Qmax) 580 m³/h

Airbourne acoustical A-weighted sound Power Emission at minimum speed (SPEmin) 54 dB(A)

Airborne acoustical A-weighted sound Power Emission at maximum speed (SPEmax) 70 dB(A)

Time increase factor (F) 1.4

Energy Efficiency Index 79.9

Measured air flow rate at best efficiency point (Qbep) 334 m³/h

Measured air pressure at best efficiency point (Pbep) 229 Pa

Measured electric power input at best efficiency point (Wbep) 139 W

Nominal Power consumption of the light system (WL) 8 W

Average illumination of the light on the cooking surface (Emiddle) 133 lux

Sound power level at highest setting (Lwa) 70 dB(A)

Electrical Connection

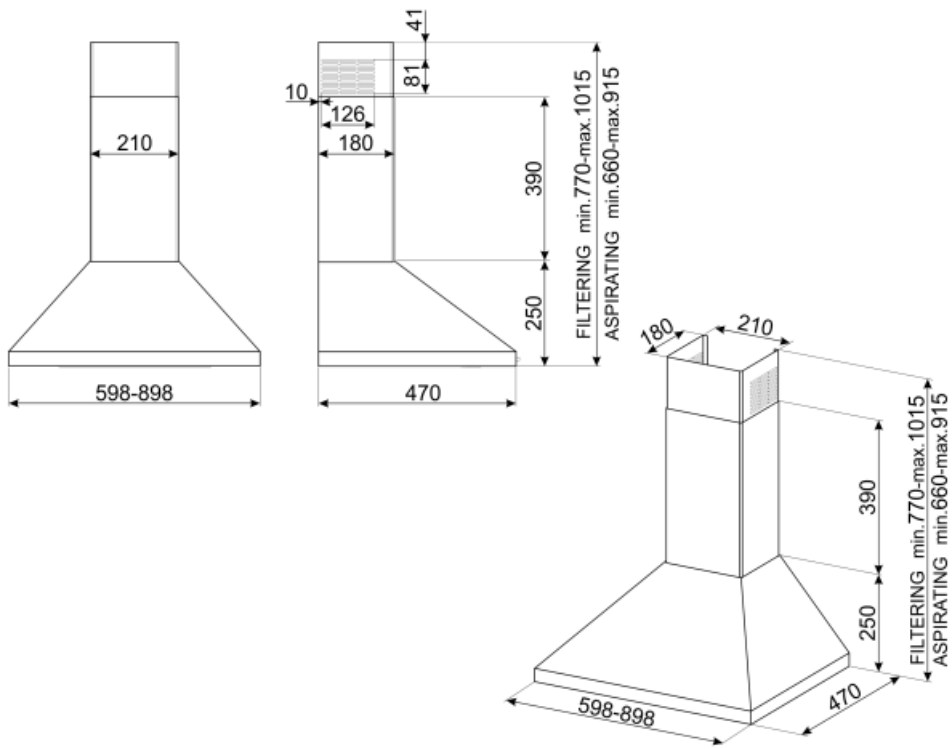
Plug Not present

Electrical connection rating 148 W

Voltage 220-240 V

Frequency (Hz) 50-60 Hz

Power supply cable length 1500 mm



Not included accessories



KITFC155

Charcoal filters Round Kit 2 pieces

Symbols glossary (TT)



Filters: Model has filters to help remove grease from the steam emanating from the pans during cooking.



Lights: All cooker hoods feature lights to illuminate the cooking area or add to the ambience of the kitchen.

