

KD91XE3

Product family	Hood
Hood Type	Decorative wall hood
Design	Chimney
Extraction	Extraction
Material	Stainless steel
Type of steel	Brushed
EAN code	8017709345976
Hood width	90 cm
Aesthetic	Universale
Colour	Stainless steel
Finishing	Satin
Logo	Embossed



Controls

Control setting	Buttons
-----------------	---------

Program / Functions

No. of speeds	3
---------------	---

Technical Features

		No. of lights	2	No. of filters	3
		Light type	LED	Anti-grease filters	Aluminium
		Light Power	4 W	Vent outlet	150 mm
		Light color temperature scale (K)	4000 K	Minimum distance from GAS hob	650 mm
		Free outlet maximum capacity	620 m ³ /h	Minimum distance from ELECTRIC hob	500 mm
		Motor power	160 W		

	Extraction rate IEC 61591 [m ³ /h]	Noise level IEC 60704-2-13 [dBA]
Speed 1	260	45
Speed 2	390	54

Speed 3	600	63
------------	-----	----

Accessories included

Tube reduction Yes

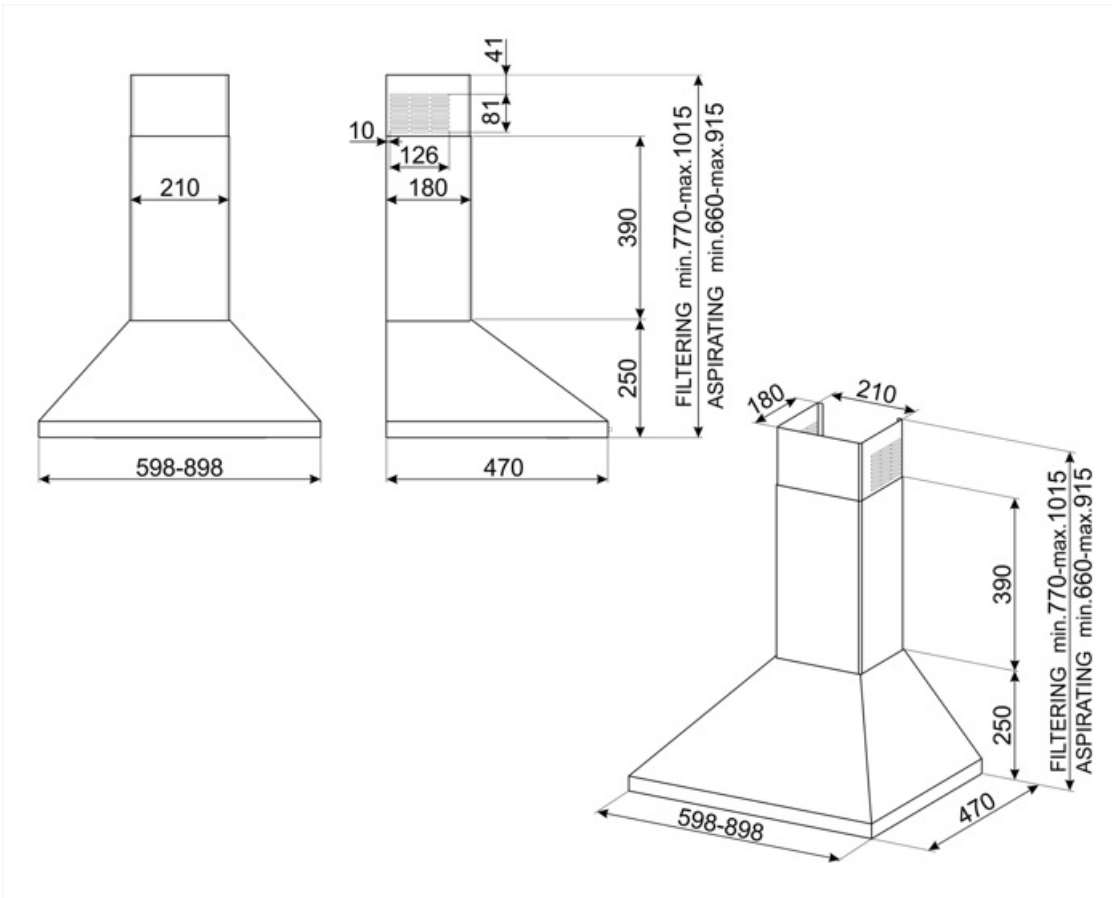
Performance / Energy Label



Annual Efficiency Consumption (AEChood)	79 kWh/a	Airbourne acoustical A-weighted sound Power Emission at minimum speed (SPEmin)	45 dBA
Energy efficiency class (EEC)	C	Airborne acoustical A-weighted sound Power Emission at maximum speed (SPEmax)	63 dBA
Fluid Dynamic Efficiency (FDE)	18.20	Time increase factor (F)	1.3
Fluid Dynamic Efficiency class (FDEC)	C	Energy Efficiency Index	75.6
Lighting Efficiency (LE)	17 lux/W	Measured air flow rate at best efficiency point (Qbep)	338 m³/h
Lighting Efficiency Class (LEC)	C	Measured air pressure at best efficiency point (Pbep)	300 Pa
Grease Filtering Efficiency (GFE)	75.1 %	Measured electric power input at best efficiency point (Wbep)	155 W
Grease Filtering Efficiency Class (GFEC)	C	Nominal Power consumption of the light system (WL)	8 W
Air flow at minumum speed (Qmin)	260 m³/h	Average illumination of the light on the cooking surface (Emiddle)	133 lux
Air flow at maximum speed (Qmax)	600 m³/h	Sound power level at highest setting (Lwa)	63 dBA

Electrical Connection

Electrical connection rating	168 W	Power supply cable length	1500 mm
Voltage	220-240 V	Plug	Not present
Frequency (Hz)	50-60 Hz		



Compatible Accessories

KITFC152

Charcoal filters Round Kit 2 pieces



Symbols glossary



Filters: Model has filters to help remove grease from the steam emanating from the pans during cooking.



Lights: All cooker hoods feature lights to illuminate the cooking area or add to the ambience of the kitchen.

