

# KDC91XE2

Product family	Hood
Hood Type	Decorative wall hood
Design	Chimney
Extraction	Extraction
Material	Stainless steel
Type of steel	Brushed
EAN code	8017709285777
Aesthetic	Universale
Colour	Stainless steel
Finishing	Satin
Logo	Embossed



## Controls

Control setting	Buttons
-----------------	---------

## Programs / Functions

No. of speeds	3
---------------	---

## Technical Features



No. of lights	2	No. of filters	3
Light type	LED	Anti-grease filters	Aluminium
Light Power	4 W	Charcoal filters included	Yes
Light color temperature scale (°K)	3000 °K	Vent outlet	150 mm
Free outlet maximum capacity	620 m <sup>3</sup> /h	Minimum distance from GAS hob	650 mm
Motor power	140 W	Minimum distance from ELECTRIC hob	500 mm

	Extraction rate IEC 61591 [m <sup>3</sup> /h]	Noise level IEC 60704-2-13 [dBA]
Speed 1	280	54
Speed 2	420	62

Speed 3	580	70
------------	-----	----

## Accessories Included

Tube reduction Yes

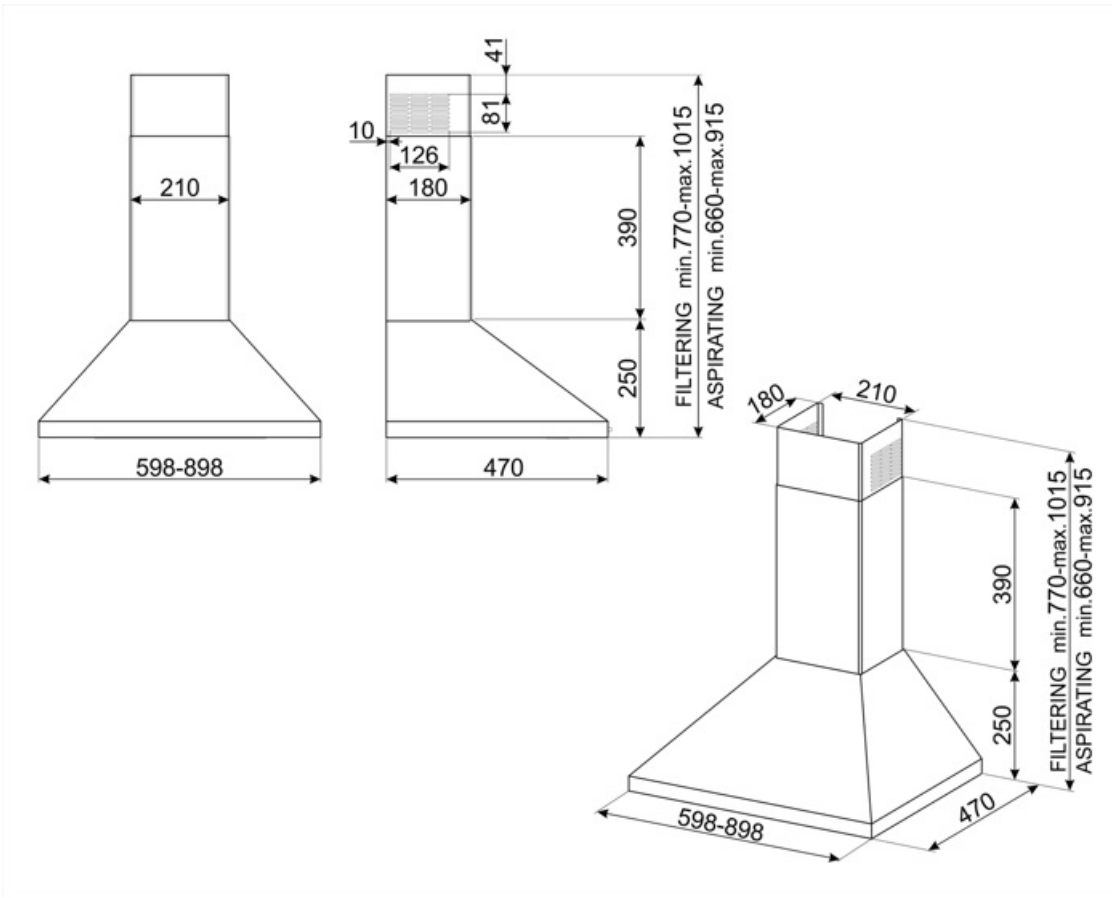
## Performance / Energy Label



Annual Efficiency Consumption (AEChood)	77 kWh/a	Airbourne acoustical A-weighted sound Power Emission at minimum speed (SPEmin)	54 dBA
Energy efficiency class (EEC)	C	Airborne acoustical A-weighted sound Power Emission at maximum speed (SPEmax)	70 dBA
Fluid Dynamic Efficiency (FDE)	15,30	Time increase factor (F)	1,4
Fluid Dynamic Efficiency class (FDEC)	D	Energy Efficiency Index	79,9
Lighting Efficiency (LE)	17 lux/W	Measured air flow rate at best efficiency point (Qbep)	334 m³/h
Lighting Efficiency Class (LEC)	C	Measured air pressure at best efficiency point (Pbep)	229 Pa
Grease Filtering Efficiency (GFE)	75,1 %	Measured electric power input at best efficiency point (Wbep)	139 W
Grease Filtering Efficiency Class (GFEC)	C	Nominal Power consumption of the light system (WL)	8 W
Air flow at mininum speed (Qmin)	280 m³/h	Average illumination of the light on the cooking surface (Emiddle)	133 lux
Air flow at maximum speed (Qmax)	580 m³/h	Sound power level at highest setting (Lwa)	70 dBA

## Electrical Connection

Plug	Not present	Frequency (Hz)	50-60 Hz
Electrical connection rating	148 W	Power supply cable length	1500 mm
Voltage	220-240 V		



---

## Compatible Accessories

---

KITFC152

Charcoal filters Round Kit 2 pieces



---

## Symbols glossary

---



**Filters:** Model has filters to help remove grease from the steam emanating from the pans during cooking.



**Charcoal filters:** Extracting through charcoal filters or directly to the exterior lessens strong cooking odours considerably.



**Lights:** All cooker hoods feature lights to illuminate the cooking area or add to the ambience of the kitchen.

