

# KDE600EX

Product family	Hood
Hood Type	Decorative wall hood
Design	Chimney
Extraction	Extraction
Material	Stainless steel
Type of steel	Brushed
EAN code	8017709235154
Hood width	60 cm



## Aesthetics

Aesthetic	Universale	Components finishing	Stainless steel
Colour	Stainless steel	Serigraphy colour	Black
Finishing	Satin	Logo	Silk screen

## Controls

Control setting	Buttons
-----------------	---------

## Technical Features

			
No. of lights	2	No. of filters	2
Light type	LED	Anti-grease filters	Aluminium
Light Power	3 W	Vent outlet	150 mm
Light color temperature scale (°K)	2700 °K	Minimum distance from GAS hob	700 mm
Free outlet maximum capacity	588 m <sup>3</sup> /h	Minimum distance from ELECTRIC hob	500 mm
Motor power	180 W	Non return valve	Yes

	Extraction rate IEC 61591 [m <sup>3</sup> /h]	Noise level IEC 60704-2-13 [dBA]
Speed 1	202	42

Speed 2	307	52
Speed 3	553	65

## Accessories Included

Tube reduction Yes

## Performance / Energy Label



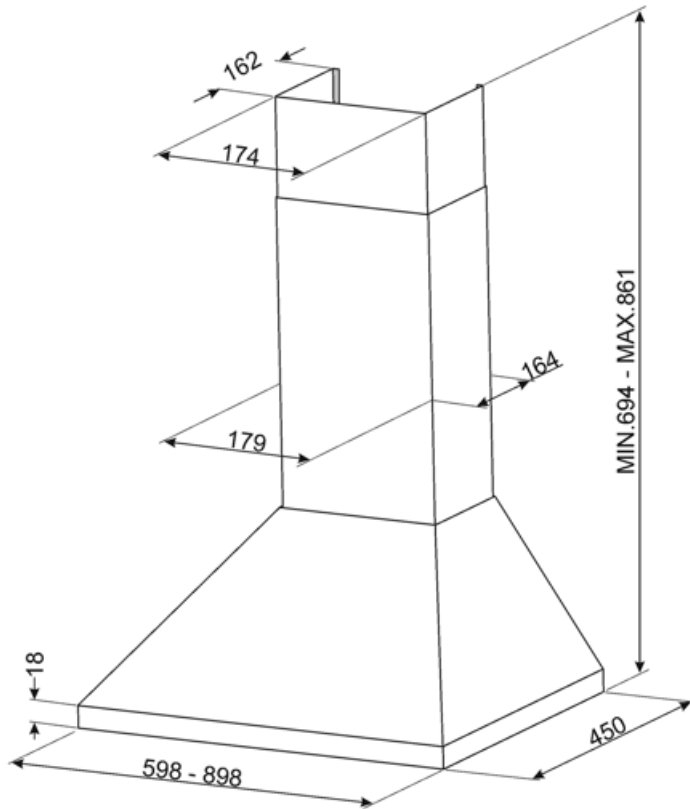
Annual Efficiency Consumption (AEC <sub>hood</sub> )	103 kWh/a	Airbourne acoustical A-weighted sound Power Emission at minimum speed (SPE <sub>min</sub> )	44 dBA
Energy efficiency class (EEC)	D	Airborne acoustical A-weighted sound Power Emission at maximum speed (SPE <sub>max</sub> )	67 dBA
Fluid Dynamic Efficiency (FDE)	12,6	Time increase factor (F)	1,5
Fluid Dynamic Efficiency class (FDEC)	E	Measured air flow rate at best efficiency point (Q <sub>bep</sub> )	320 m <sup>3</sup> /h
Lighting Efficiency (LE)	16,1 lux/W	Measured air pressure at best efficiency point (P <sub>bep</sub> )	255 Pa
Lighting Efficiency Class (LEC)	C	Measured electric power input at best efficiency point (W <sub>bep</sub> )	180 W
Grease Filtering Efficiency (GFE)	76 %	Nominal Power consumption of the light system (WL)	6 W
Grease Filtering Efficiency Class (GFEC)	C	Average illumination of the light on the cooking surface (E <sub>middle</sub> )	97 lux
Air flow at minumum speed (Q <sub>min</sub> )	208 m <sup>3</sup> /h	Sound power level at highest setting (L <sub>wa</sub> )	67 dBA
Air flow at maximum speed (Q <sub>max</sub> )	559 m <sup>3</sup> /h		

## Electrical Connection

Plug	Not present	Frequency (Hz)	50-60 Hz
Electrical connection rating	186 W	Power supply cable length	1500 mm
Voltage	220-240 V		

## Optional accessories

Charcoal filter KITFC450



---

## Not included accessories

---

**KITFC450**

Charcoal filters ROUND Kit 2 pieces KDE600XE KDE900XE



---

## Symbols glossary (TT)

---



Filters: Model has filters to help remove grease from the steam emanating from the pans during cooking.



Lights: All cooker hoods feature lights to illuminate the cooking area or add to the ambience of the kitchen.