

KDE900EX

| | |
|----------------|----------------------|
| Product family | Hood |
| Hood Type | Decorative wall hood |
| Design | Chimney |
| Extraction | Extraction |
| Material | Stainless steel |
| Type of steel | Brushed |
| EAN code | 8017709235161 |
| Hood width | 90 cm |



Aesthetics

| | | | |
|-----------|-----------------|----------------------|-----------------|
| Aesthetic | Universale | Components finishing | Stainless steel |
| Colour | Stainless steel | Serigraphy colour | Black |
| Finishing | Satin | Logo | Silk screen |



Controls

| | |
|-----------------|---------|
| Control setting | Buttons |
|-----------------|---------|

Program / Functions

| | |
|---------------|---|
| No. of speeds | 3 |
|---------------|---|

Technical Features

| | | | |
|--|---|------------------------------------|-----------|
|  |  | | |
| No. of lights | 2 | No. of filters | 3 |
| Light type | LED | Anti-grease filters | Aluminium |
| Light Power | 3 W | Vent outlet | 150 mm |
| Light color temperature scale (°K) | 2700 °K | Minimum distance from GAS hob | 700 mm |
| Free outlet maximum capacity | 588 m ³ /h | Minimum distance from ELECTRIC hob | 500 mm |
| Motor power | 180 W | Non return valve | Yes |

| | Extraction rate IEC 61591 [m³/h] | Noise level IEC 60704-2-13 [dBA] |
|---------|----------------------------------|----------------------------------|
| Speed 1 | 202 | 42 |
| Speed 2 | 307 | 52 |
| Speed 3 | 553 | 65 |

Accessories Included

Tube reduction Yes

Performance / Energy Label



| | | | |
|--|------------|--|----------|
| Annual Efficiency Consumption (AEChood) | 103 kWh/a | Airbourne acoustical A-weighted sound Power Emission at minimum speed (SPEmin) | 44 dBA |
| Energy efficiency class (EEC) | D | Airborne acoustical A-weighted sound Power Emission at maximum speed (SPEmax) | 67 dBA |
| Fluid Dynamic Efficiency (FDE) | 12.6 | Time increase factor (F) | 1.5 |
| Fluid Dynamic Efficiency class (FDEC) | E | Measured air flow rate at best efficiency point (Qbep) | 320 m³/h |
| Lighting Efficiency (LE) | 16.1 lux/W | Measured air pressure at best efficiency point (Pbep) | 255 Pa |
| Lighting Efficiency Class (LEC) | C | Measured electric power input at best efficiency point (Wbep) | 180 W |
| Grease Filtering Efficiency (GFE) | 76 % | Nominal Power consumption of the light system (WL) | 6 W |
| Grease Filtering Efficiency Class (GFEC) | C | Average illumination of the light on the cooking surface (Emiddle) | 97 lux |
| Air flow at minumum speed (Qmin) | 208 m³/h | Sound power level at highest setting (Lwa) | 67 dBA |
| Air flow at maximum speed (Qmax) | 559 m³/h | | |

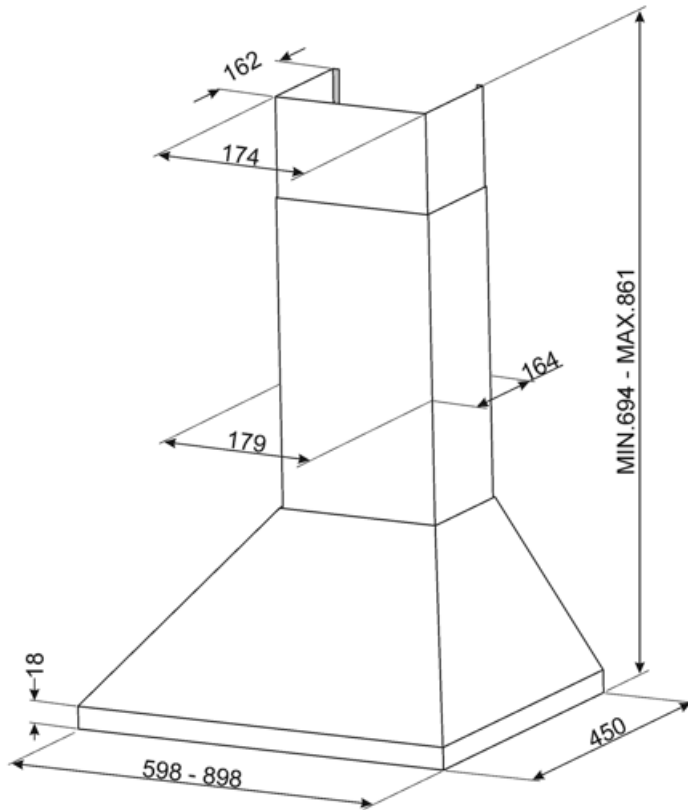
Electrical Connection

| | | | |
|------------------------------|-------------|---------------------------|----------|
| Plug | Not present | Frequency (Hz) | 50-60 Hz |
| Electrical connection rating | 186 W | Power supply cable length | 1500 mm |
| Voltage | 220-240 V | | |

Optional accessories

Charcoal filter

KITFC450



Not included accessories

KITFC450

Charcoal filters ROUND Kit 2 pieces KDE600XE KDE900XE



Symbols glossary



Filters: Model has filters to help remove grease from the steam emanating from the pans during cooking.



Lights: All cooker hoods feature lights to illuminate the cooking area or add to the ambience of the kitchen.

