

# KDE900EX

Product family	Hood
Hood Type	Decorative wall hood
Design	Chimney
Extraction	Extraction
Material	Stainless steel
Type of steel	Brushed
EAN code	8017709235161
Hood width	90 cm
Aesthetic	Universale
Colour	Stainless steel
Finishing	Satin
Components finishing	Stainless steel
Serigraphy colour	Black
Logo	Silk screen



## Controls

Control setting	Buttons
-----------------	---------

## Program / Functions

No. of speeds	3
---------------	---

## Technical Features

			
No. of lights	2	No. of filters	3
Light type	LED	Anti-grease filters	Aluminium
Light Power	3 W	Vent outlet	150 mm
Light color temperature scale (K)	2700 K	Minimum distance from GAS hob	700 mm
Free outlet maximum capacity	588 m <sup>3</sup> /h	Minimum distance from ELECTRIC hob	500 mm
Motor power	180 W	Non return valve	Yes

	Extraction rate IEC 61591 [m <sup>3</sup> /h]	Noise level IEC 60704-2-13 [dBA]
Speed 1	202	42
Speed 2	307	52

Speed 3	553	65
------------	-----	----

## Accessories Included

Tube reduction Yes

## Performance / Energy Label



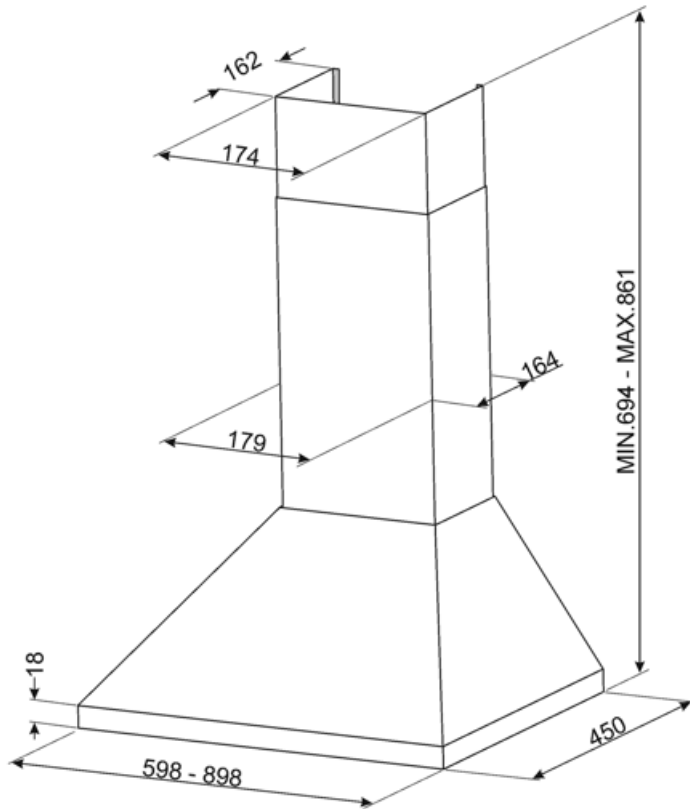
Annual Efficiency Consumption (AEChood)	103 kWh/a	Airbourne acoustical A-weighted sound Power Emission at minimum speed (SPEmin)	44 dBA
Energy efficiency class (EEC)	D	Airborne acoustical A-weighted sound Power Emission at maximum speed (SPEmax)	67 dBA
Fluid Dynamic Efficiency (FDE)	12,6	Time increase factor (F)	1,5
Fluid Dynamic Efficiency class (FDEC)	E	Measured air flow rate at best efficiency point (Qbep)	320 m <sup>3</sup> /h
Lighting Efficiency (LE)	16,1 lux/W	Measured air pressure at best efficiency point (Pbep)	255 Pa
Lighting Efficiency Class (LEC)	C	Measured electric power input at best efficiency point (Wbep)	180 W
Grease Filtering Efficiency (GFE)	76 %	Nominal Power consumption of the light system (WL)	6 W
Grease Filtering Efficiency Class (GFEC)	C	Average illumination of the light on the cooking surface (Emiddle)	97 lux
Air flow at minumum speed (Qmin)	208 m <sup>3</sup> /h	Sound power level at highest setting (Lwa)	67 dBA
Air flow at maximum speed (Qmax)	559 m <sup>3</sup> /h		

## Electrical Connection

Electrical connection rating	186 W	Power supply cable length	1500 mm
Voltage	220-240 V	Plug	Not present
Frequency (Hz)	50-60 Hz		

## Optional accessories

Charcoal filter KITFC450



---

## Compatible Accessories

---

**KITFC450**

Charcoal filters ROUND Kit 2 pieces KDE600XE KDE900XE



---

## Symbols glossary

---



**Filters:** Model has filters to help remove grease from the steam emanating from the pans during cooking.



**Lights:** All cooker hoods feature lights to illuminate the cooking area or add to the ambience of the kitchen.

