

KDU30X

Product family	Hood
Hood Type	Decorative wall hood
Design	Chimney
Extraction	Extraction
Material	Stainless steel
Type of steel	Brushed
EAN code	8017709242046
Aesthetic	Classica
Colour	Stainless steel
Finishing	Satin
Logo	Embossed



Controls

Control setting	Control knobs	Control knobs	Classic
No. of controls	2	Controls colour	Steel effect

Program / Functions

No. of speeds	4
---------------	---

Technical Features

			
No. of lights	2	No. of filters	3
Light type	Halogen	Anti-grease filters	Aluminium
Light Power	20 W	Vent outlet	5 7/8 "
Light color temperature scale (°K)	3000 °K	Minimum distance from GAS hob	650 "
Free outlet maximum capacity	677 CFM	Minimum distance from ELECTRIC hob	650 "
Motor power	455 W	Non return valve	Yes

	Extraction rate IEC 61591 [CFM]	Noise level IEC 60704-2-13 [dBA]
Speed 1	275.5	48
Speed 2	411.5	55

Speed 3	551	61
Speed 4	665	69

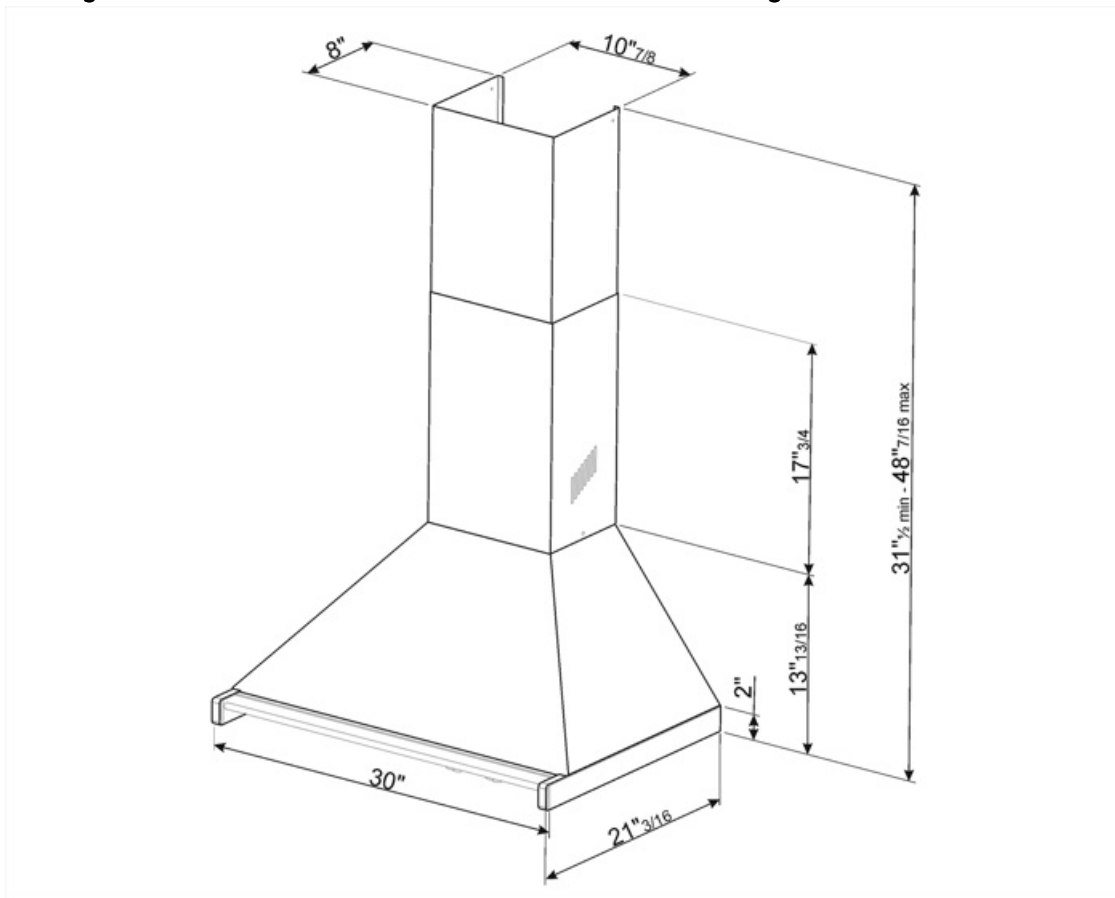
Electrical Connection

Electrical connection rating
Voltage

495 W
120 V

Frequency (Hz)
Power supply cable length

60 Hz
1000 "



Compatible Accessories



FLTK-1

Round Charcoal filters (kit 2 pieces)



KITCMNKD

Chimney extension dimension 202.8 *
276 * 800



KITALLFC

Universal Charcoal filter Stainless Steel AISI 304 The filter can be washed in dishwasher 50 °C (water and suitable detergent) and to dry it put in the oven 180°C 25 minutes

Symbols glossary



Filters: Model has filters to help remove grease from the steam emanating from the pans during cooking.



Lights: All cooker hoods feature lights to illuminate the cooking area or add to the ambience of the kitchen.