

KFAB75CR

Product family	Hood
Hood Type	Chimney Cooker Hoods
Design	Angled
Extraction	Re-circulation only
Electronic control	Yes
Material	Painted material
Type of steel	Brushed
EAN code	8017709224875
Hood width	75 cm



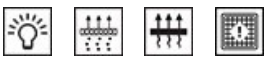
Aesthetics

Aesthetics Colour	50's Style Cream	Finishing Logo	Gloss Applied
-------------------	------------------	----------------	---------------

Controls

Control setting	Electronic buttons	Led colour	White
-----------------	--------------------	------------	-------

Technical Features



No. of lights	2	Anti-grease filters	Stainless steel
Light type	LED	Charcoal filters included	Yes
Light power	1 W	Filter replacement indicator	Yes
Light colour temperature scale (°K)	4000 °K	Vent outlet	150 mm
Free outlet maximum capacity	820 m ³ /h	Minimum distance from GAS hob	650 mm
Motor power	280 W	Minimum distance from ELECTRIC hob	650 mm
No. of filters	3	Non return valve	Yes

	Extraction rate IEC 61591 [m ³ /h]	Noise level IEC 60704-2-13 [dBA]
Speed 1	333	50
Speed 2	477	59

Speed 3	649	67
Intensive speed	797	72

Accessories Included

Remote control	Yes	Sliding door	Yes
----------------	-----	--------------	-----

Performance / Energy Label



Annual Efficiency Consumption (AEChood)	36 kWh/year	Airborne acoustical A-weighted sound Power Emission at maximum speed (SPEmax)	67 dBA
Energy efficiency class (EEC)	A+	Airbourne acoustical A-weighted sound power emission at boost speed (SPEboost)	72 dBA
Fluid Dynamic Efficiency (FDE)	36,6	Power consumption in stand-by mode (Ps)	0,7 W
Fluid Dynamic Efficiency class (FDEC)	A	Time increase factor (F)	0,49
Lighting Efficiency (LE)	68,2 lux/W	Energy Efficiency Index per first cavity	39,7
Lighting Efficiency Class (LEC)	A	Measured air flow rate at best efficiency point (Qbep)	421 m ³ /h
Grease Filtering Efficiency (GFE)	61,1 %	Measured air pressure at best efficiency point (Qbep)	422 Pa
Grease Filtering Efficiency Class (GFEC)	E	Measured electric power input at best efficiency point (Wbep)	135 W
Air flow at minimum speed (Qmin)	333 m ³ /h	Normal Power of the light system (WI)	2 W
Maximum extraction rate	649 m ³ /h	Average illumination of the light on the cooking surface (Emiddle)	150 lux
Intensive extraction rate	797 m ³ /h	Sound power level at highest setting (Lwa)	67 dBA
Airbourne acoustical A-weighted sound Power Emission at minimum speed (SPEmin)	50 dBA		

Electrical Connection

Nominal power	282 W	Frequency (Hz)	50-60 Hz
Current	1 A	Power supply cable length	1500 mm
Voltage	220-240 V		

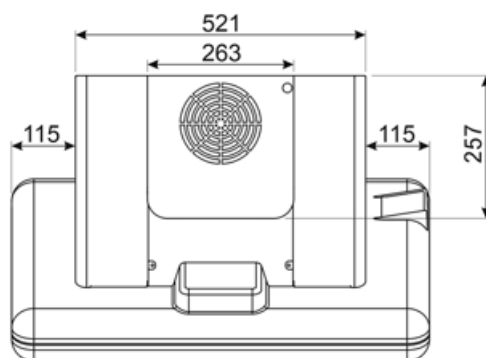
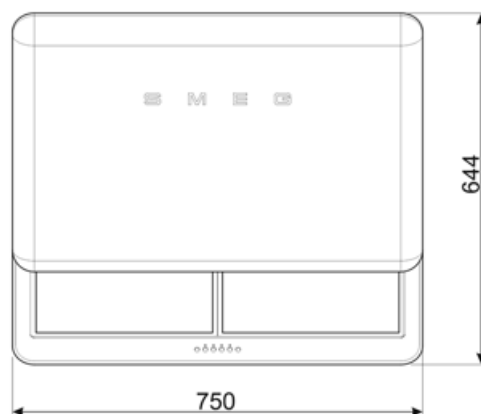
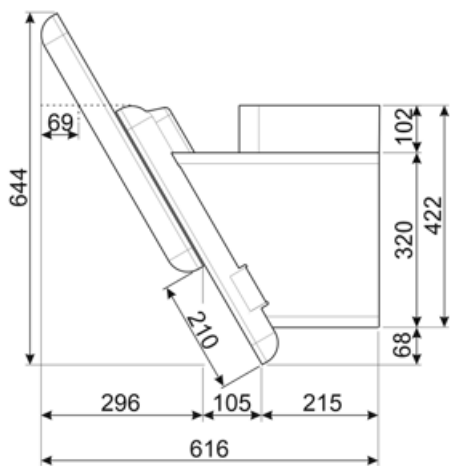
Also available

Alternative colours available

White, Black, Blue, Red

Available colours

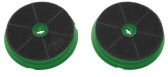
KFAB75WH-KFAB75BL-KFAB75UJ-KFAB75RD



Not included accessories

FLTSI

Charcoal filters Kit 2 pieces


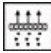


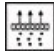
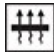



KITCMNFABCR

Coppia di Camini (2 pezzi) dimensioni
550 min 1035 max (263 * 257 mm)
KFAB75CR PANNA



Symbols glossary

- | | | | |
|--|--|---|---|
|  | A+: Energy efficiency class A+ helps to save up to 10% energy compared to class A. Maximum performance with minimum consumption is guaranteed. |  | Filters: Model has filters to help remove grease from the steam emanating from the pans during cooking. |
|  | Switch off automatically: A special setting, to run after the end of cooking for a pre-set time and then switch off automatically. |  | Charcoal filters: Extracting through charcoal filters or directly to the exterior lessens strong cooking odours considerably. |
|  | Warning light(s): to advise when filters need changing. |  | Lights: All cooker hoods feature lights to illuminate the cooking area or add to the ambience of the kitchen. |
|  | Intensive/turbo setting: when extra fast extraction is required. | | |