

KFAB75WH

Product family	Hood
Hood Type	Decorative wall hood
Design	Angled
Extraction	Recirculation
Electronic control	Yes
Material	Painted material
Type of steel	Brushed
EAN code	8017709224899
Aesthetic	50's Style
Colour	White
Finishing	Glossy
Logo	Applied



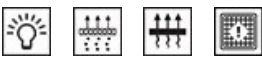
Controls

Control setting	Electronic buttons	Led color	White
-----------------	--------------------	-----------	-------

Programs / Functions

No. of speeds	3
Intensive speed	
Time-setting options	

Technical Features



No. of lights	2	Anti-grease filters	Stainless steel
Light type	LED	Charcoal filters included	Yes
Light Power	1 W	Filter replacement indicator	Yes
Light color temperature scale (°K)	4000 °K	Vent outlet	150 mm
Free outlet maximum capacity	820 m³/h	Minimum distance from GAS hob	650 mm
Motor power	280 W	Minimum distance from ELECTRIC hob	650 mm
No. of filters	3	Non return valve	Yes

	Extraction rate IEC 61591 [m³/h]	Noise level IEC 60704-2-13 [dBA]
Speed 1	333	50

Speed 2	477	59
Speed 3	649	67
Intensive speed	797	72

Accessories Included

Remote control	Yes	Motorised opening	Yes
----------------	-----	-------------------	-----

Performance / Energy Label



Annual Efficiency Consumption (AEChood)	36 kWh/a	Airborne acoustical A-weighted sound Power Emission at maximum speed (SPEmax)	67 dBA
Energy efficiency class (EEC)	A+	Airbourne acoustical A-weighted sound power emission at boost speed (SPEboost)	72 dBA
Fluid Dynamic Efficiency (FDE)	36,6	Power consumption in stand-by mode (Ps)	0,49 W
Fluid Dynamic Efficiency class (FDEC)	A	Time increase factor (F)	0,7
Lighting Efficiency (LE)	68,2 lux/W	Energy Efficiency Index	39,7
Lighting Efficiency Class (LEC)	A	Measured air flow rate at best efficiency point (Qbep)	421 m³/h
Grease Filtering Efficiency (GFE)	61,1 %	Measured air pressure at best efficiency point (Pbep)	422 Pa
Grease Filtering Efficiency Class (GFEC)	E	Measured electric power input at best efficiency point (Wbep)	135 W
Air flow at minimum speed (Qmin)	333 m³/h	Nominal Power consumption of the light system (WL)	2 W
Air flow at maximum speed (Qmax)	649 m³/h	Average illumination of the light on the cooking surface (Emiddle)	150 lux
Air flow at boost speed (Qboost)	797 m³/h	Sound power level at highest setting (Lwa)	67 dBA
Airbourne acoustical A-weighted sound Power Emission at minimum speed (SPEmin)	50 dBA		

Electrical Connection

Plug	Not present	Voltage	220-240 V
Battery type	Alkaline-Manganese Dioxide (Zn/MnO2)	Frequency (Hz)	50-60 Hz
Electrical connection rating	282 W	Power supply cable length	1500 mm
Current	1 A		

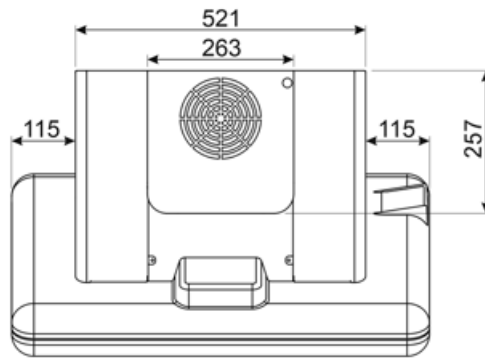
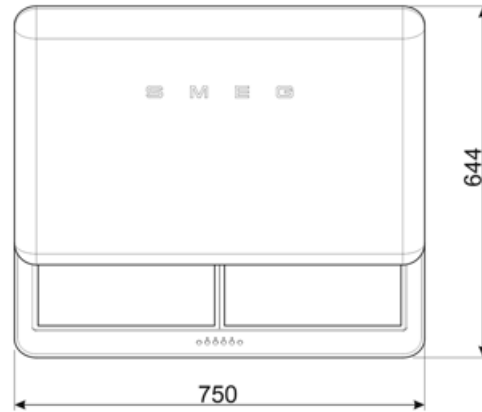
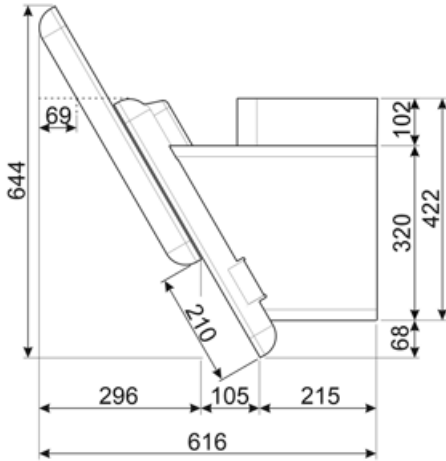
Also available

Alternative colours available

Black, Cream, Blue, Red

Available colours

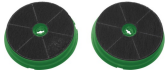
KFAB75BL-KFAB75CR-
KFAB75UJ-KFAB75RD



Compatible Accessories

FLTSI

Charcoal filters Kit 2 pieces



KITCMNFABWH

Coppia di Camini (2 pezzi) dimensioni
550 min 1035 max (263 * 257 mm)
KFAB75WH BIANCA



Symbols glossary



Filters: Model has filters to help remove grease from the steam emanating from the pans during cooking.



Charcoal filters: Extracting through charcoal filters or directly to the exterior lessens strong cooking odours considerably.



Warning light(s): to advise when filters need changing.



Intensive/turbo setting: when extra fast extraction is required.



Switch off automatically: A special setting, to run after the end of cooking for a pre-set time and then switch off automatically.



A+: Energy efficiency class A+ helps to save up to 10% energy compared to class A. Maximum performance with minimum consumption is guaranteed.



Lights: All cooker hoods feature lights to illuminate the cooking area or add to the ambience of the kitchen.