

KFV90T

Product family	Hood
Hood Type	Decorative wall hood
Design	T flat
Extraction	Extraction
Material	Glass
Type of steel	Brushed
EAN code	8017709143367
Hood width	90 cm
Aesthetic	Universale
Colour	Stainless Steel and Glass
Finishing	Glass
Serigraphy colour	Black
Logo	Embossed



Controls

Control setting	Buttons
-----------------	---------

Program / Functions

No. of speeds	3
---------------	---

Technical Features



No. of lights	2	No. of filters	2
Light type	Halogen	Anti-grease filters	Aluminium
Light Power	20 W	Charcoal filters included	Yes
Free outlet maximum capacity	600 m ³ /h	Vent outlet	150 mm
Motor power	200 W		

	Extraction rate IEC 61591 [m ³ /h]	Noise level IEC 60704-2-13 [dBA]
Speed 1	280	50
Speed 2	425	59
Speed 3	580	66

Accessories included

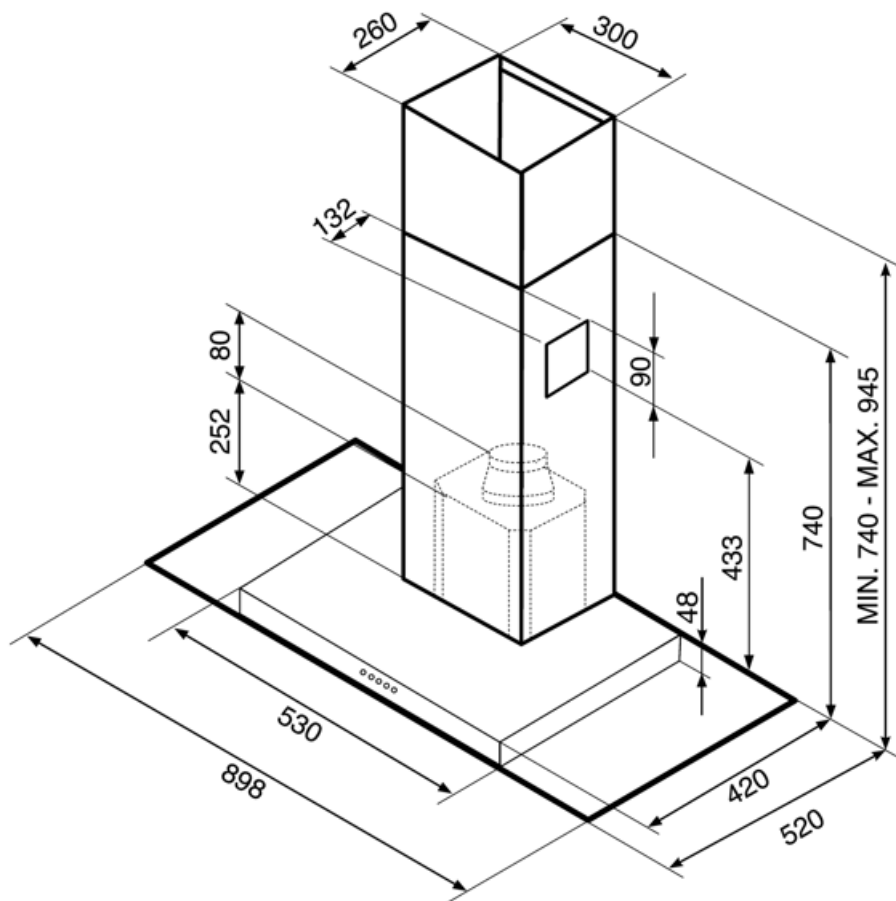
Tube reduction Yes

Electrical Connection

Electrical connection rating	240 W	Power supply cable length	1500 mm
Voltage	120 V	Plug	Not present
Frequency (Hz)	60 Hz		

Optional accessories

Charcoal filter KITFC161



Compatible Accessories



KITFC161

Charcoal filters Kit 1 piece

Symbols glossary



Filters: Model has filters to help remove grease from the steam emanating from the pans during cooking.



Charcoal filters: Extracting through charcoal filters or directly to the exterior lessens strong cooking odours considerably.



Lights: All cooker hoods feature lights to illuminate the cooking area or add to the ambience of the kitchen.