

KI52E3

Product family	Hood
Hood Type	Canopy Cooker Hoods
Design	Fully integrated
Extraction	Ducted out or re-circulation possible
Material	Painted material
EAN code	8017709304362
Hood width	52 cm



Aesthetics

Aesthetics	Universal	Serigraphy colour	Black
Colour	Silver	Logo	Silk screen

Controls

Control setting	Slider
-----------------	--------

Technical Features

			
No. of lights	2	No. of filters	1
Light type	LED	Anti-grease filters	Aluminium
Light power	4 W	Vent outlet	150 mm
Light colour	3000 °K	Minimum distance from GAS hob	650 mm
Free outlet maximum capacity	350 m ³ /h	Minimum distance from ELECTRIC hob	500 mm
Motor power	115 W		

	Extraction rate IEC 61591 [m ³ /h]	Noise level IEC 60704-2-13 [dBA]
Speed 1	160	54
Speed 2	220	59

Speed 3	335	66
------------	-----	----

Accessories Included

Tube reduction Yes

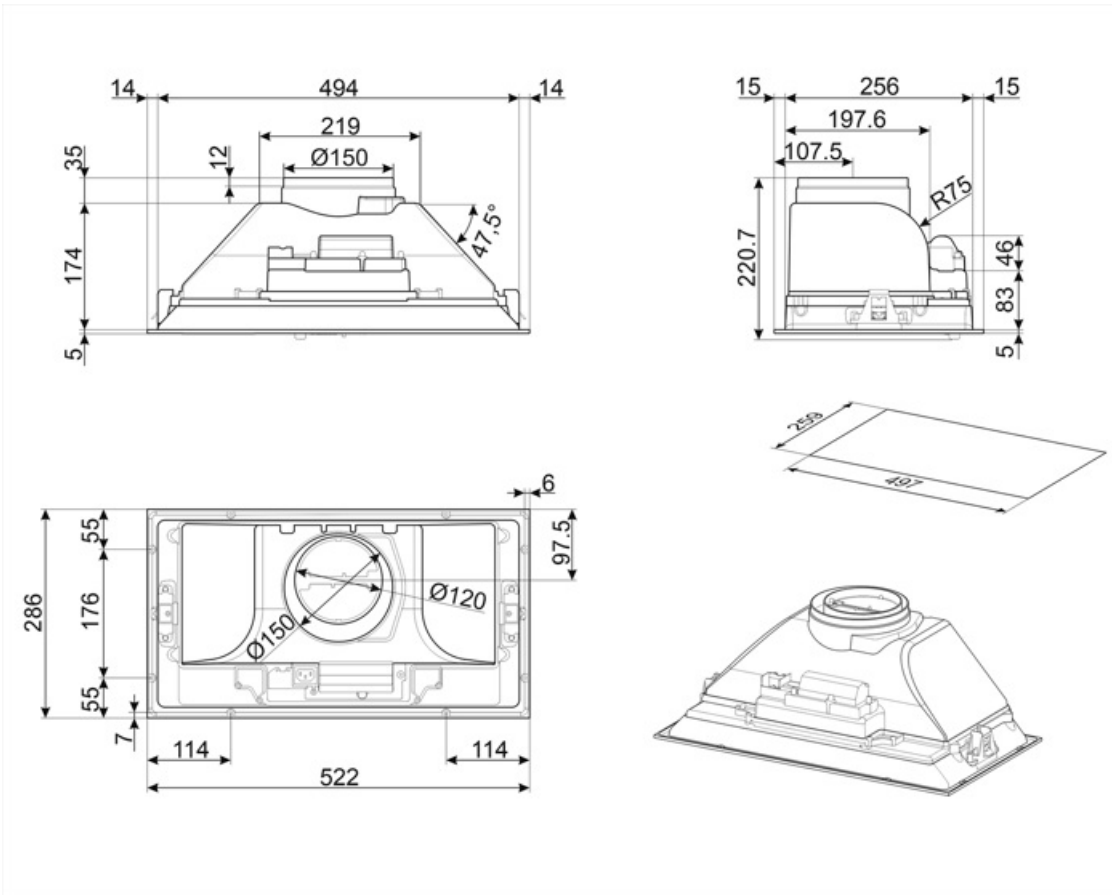
Performance / Energy Label



Annual Efficiency Consumption (AEChood)	59 KWh/year	Airbourne acoustical A-weighted sound Power Emission at minimum speed (SPEmin)	54 dBA
Energy efficiency class (EEC)	C	Airborne acoustical A-weighted sound Power Emission at maximum speed (SPEmax)	66 dBA
Fluid Dynamic Efficiency (FDE)	13,1	Time increase factor (F)	1,5
Fluid Dynamic Efficiency class (FDEC)	D	Energy Efficiency Index per first cavity	80,6
Lighting Efficiency (LE)	13 lux/W	Measured air flow rate at best efficiency point (Qbep)	153 m ³ /h
Lighting Efficiency Class (LEC)	D	Measured air pressure at best efficiency point (Qbep)	196 Pa
Grease Filtering Efficiency (GFE)	75,1 %	Measured electric power input at best efficiency point (Wbep)	103 W
Grease Filtering Efficiency Class (GFEC)	C	Normal Power of the light system (WI)	8 W
Air flow at minumum speed (Qmin)	160 m ³ /h	Average illumination of the light on the cooking surface (Emiddle)	100 lux
Maximum extraction rate	335 m ³ /h	Sound power level at highest setting (Lwa)	66 dBA

Electrical Connection

Plug	UK 13 AMP	Frequency (Hz)	50 Hz
Nominal power	103 W	Power supply cable length	1000 mm
Voltage	220-240 V		



Not included accessories

KITFC6191

Charcoal filter round (kit 2 pieces)



Symbols glossary



Filters: Model has filters to help remove grease from the steam emanating from the pans during cooking.



Lights: All cooker hoods feature lights to illuminate the cooking area or add to the ambience of the kitchen.