

# KI52E3

Product family	Hood
Hood Type	Integrated hood
Design	Fully integrated
Extraction	Extraction
Material	Painted material
EAN code	8017709304362
Hood width	52 cm
Aesthetic	Universale
Colour	Silver
Serigraphy colour	Black
Logo	Silk screen



## Controls

Control setting	Slider
-----------------	--------

## Program / Functions

No. of speeds	3
---------------	---

## Technical Features

			
No. of lights	2	No. of filters	1
Light type	LED	Anti-grease filters	Aluminium
Light Power	4 W	Vent outlet	150 mm
Light color temperature scale (K)	3000 K	Minimum distance from GAS hob	650 mm
Free outlet maximum capacity	350 m <sup>3</sup> /h	Minimum distance from ELECTRIC hob	500 mm
Motor power	115 W		

	Extraction rate IEC 61591 [m <sup>3</sup> /h]	Noise level IEC 60704-2-13 [dBA]
Speed 1	160	54
Speed 2	220	59

Speed 3	335	66
------------	-----	----

## Accessories included

Tube reduction Yes

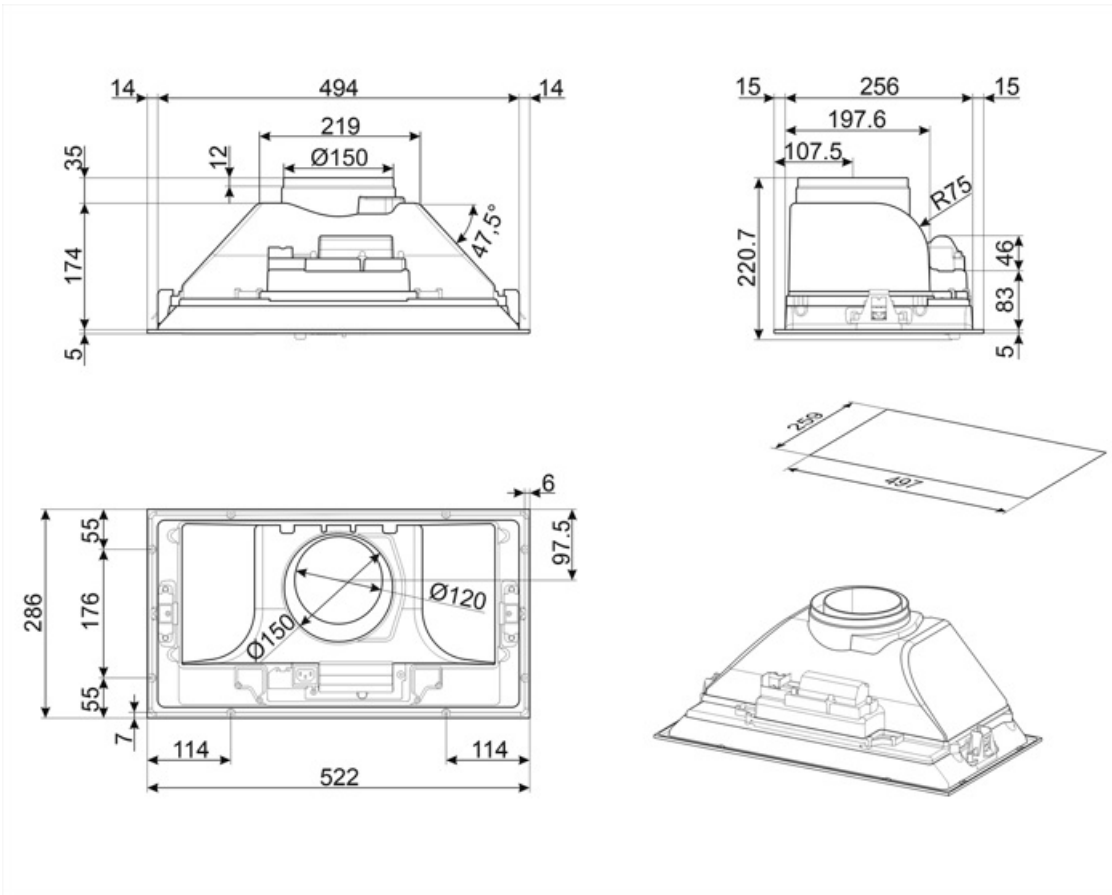
## Performance / Energy Label



Annual Efficiency Consumption (AEChood)	59 kWh/a	Airbourne acoustical A-weighted sound Power Emission at minimum speed (SPEmin)	54 dBA
Energy efficiency class (EEC)	C	Airborne acoustical A-weighted sound Power Emission at maximum speed (SPEmax)	66 dBA
Fluid Dynamic Efficiency (FDE)	13,1	Time increase factor (F)	1,5
Fluid Dynamic Efficiency class (FDEC)	D	Energy Efficiency Index	80,6
Lighting Efficiency (LE)	13 lux/W	Measured air flow rate at best efficiency point (Qbep)	153 m <sup>3</sup> /h
Lighting Efficiency Class (LEC)	D	Measured air pressure at best efficiency point (Pbep)	196 Pa
Grease Filtering Efficiency (GFE)	75,1 %	Measured electric power input at best efficiency point (Wbep)	103 W
Grease Filtering Efficiency Class (GFEC)	C	Nominal Power consumption of the light system (WL)	8 W
Air flow at minumum speed (Qmin)	160 m <sup>3</sup> /h	Average illumination of the light on the cooking surface (Emiddle)	100 lux
Air flow at maximum speed (Qmax)	335 m <sup>3</sup> /h	Sound power level at highest setting (Lwa)	66 dBA

## Electrical Connection

Electrical connection rating	103 W	Power supply cable length	1000 mm
Voltage	220-240 V	Plug	UK 13 AMP
Frequency (Hz)	50 Hz		



---

## Compatible Accessories

---

**KITFC6191**

Charcoal filter round (kit 2 pieces)



---

## Symbols glossary

---



**Filters:** Model has filters to help remove grease from the steam emanating from the pans during cooking.



**Lights:** All cooker hoods feature lights to illuminate the cooking area or add to the ambience of the kitchen.

