

KI52E3

| | |
|-------------------|------------------|
| Product family | Hood |
| Hood Type | Integrated hood |
| Design | Fully integrated |
| Extraction | Extraction |
| Material | Painted material |
| EAN code | 8017709304362 |
| Hood width | 52 cm |
| Aesthetic | Universale |
| Colour | Silver |
| Serigraphy colour | Black |
| Logo | Silk screen |



Controls

| | |
|-----------------|--------|
| Control setting | Slider |
|-----------------|--------|

Program / Functions

| | |
|---------------|---|
| No. of speeds | 3 |
|---------------|---|

Technical Features

| | | | |
|------------------------------------------------------------------------------------|-------------------------------------------------------------------------------------|------------------------------------|-----------|
|  |  | | |
| No. of lights | 2 | No. of filters | 1 |
| Light type | LED | Anti-grease filters | Aluminium |
| Light Power | 4 W | Vent outlet | 150 mm |
| Light color temperature scale (K) | 3000 K | Minimum distance from GAS hob | 650 mm |
| Free outlet maximum capacity | 350 m ³ /h | Minimum distance from ELECTRIC hob | 500 mm |
| Motor power | 115 W | | |

| | Extraction rate IEC 61591 [m ³ /h] | Noise level IEC 60704-2-13 [dBA] |
|---------|-----------------------------------------------|----------------------------------|
| Speed 1 | 160 | 54 |
| Speed 2 | 220 | 59 |

| | | |
|------------|-----|----|
| Speed 3 | 335 | 66 |
|------------|-----|----|

Accessories included

Tube reduction Yes

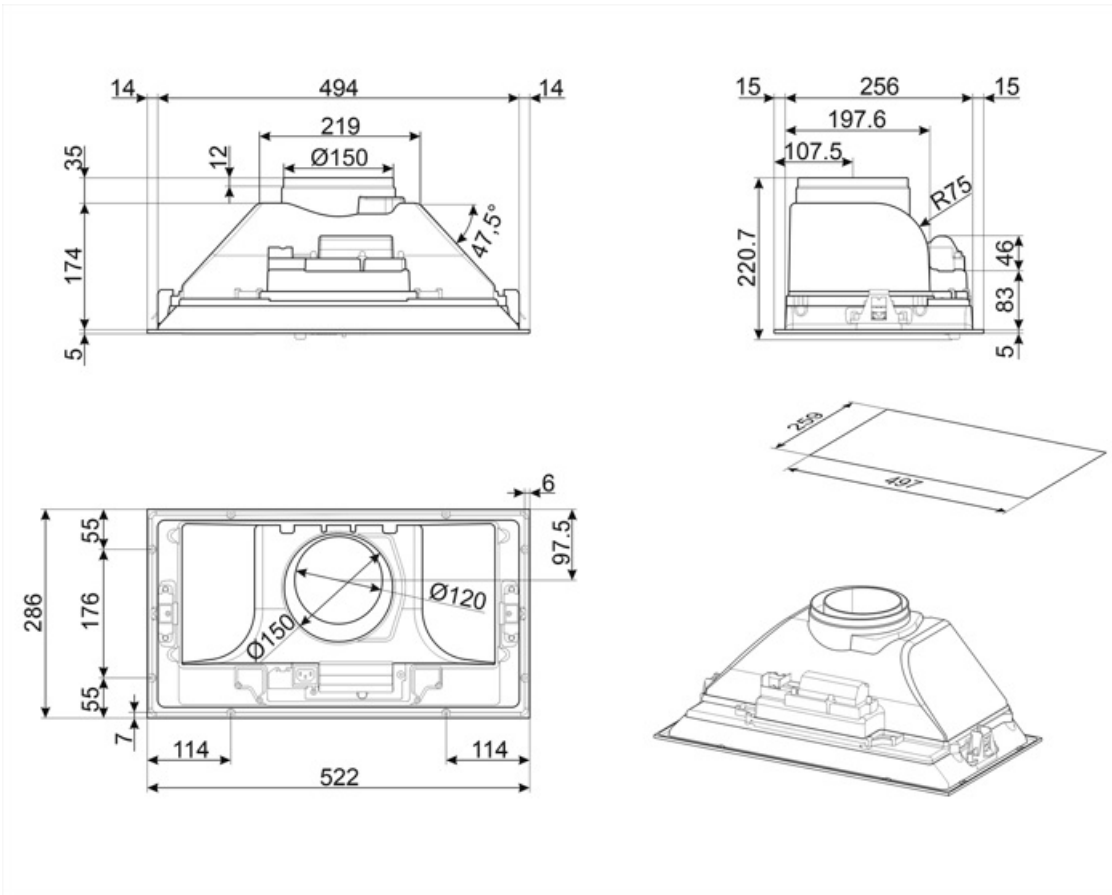
Performance / Energy Label



| | | | |
|------------------------------------------|----------|--------------------------------------------------------------------------------|----------|
| Annual Efficiency Consumption (AEChood) | 59 kWh/a | Airbourne acoustical A-weighted sound Power Emission at minimum speed (SPEmin) | 54 dBA |
| Energy efficiency class (EEC) | C | Airborne acoustical A-weighted sound Power Emission at maximum speed (SPEmax) | 66 dBA |
| Fluid Dynamic Efficiency (FDE) | 13,1 | Time increase factor (F) | 1,5 |
| Fluid Dynamic Efficiency class (FDEC) | D | Energy Efficiency Index | 80,6 |
| Lighting Efficiency (LE) | 13 lux/W | Measured air flow rate at best efficiency point (Qbep) | 153 m³/h |
| Lighting Efficiency Class (LEC) | D | Measured air pressure at best efficiency point (Pbep) | 196 Pa |
| Grease Filtering Efficiency (GFE) | 75,1 % | Measured electric power input at best efficiency point (Wbep) | 103 W |
| Grease Filtering Efficiency Class (GFEC) | C | Nominal Power consumption of the light system (WL) | 8 W |
| Air flow at mininum speed (Qmin) | 160 m³/h | Average illumination of the light on the cooking surface (Emiddle) | 100 lux |
| Air flow at maximum speed (Qmax) | 335 m³/h | Sound power level at highest setting (Lwa) | 66 dBA |

Electrical Connection

| | | | |
|------------------------------|-----------|---------------------------|-----------|
| Electrical connection rating | 103 W | Power supply cable length | 1000 mm |
| Voltage | 220-240 V | Plug | UK 13 AMP |
| Frequency (Hz) | 50 Hz | | |



Compatible Accessories

KITFC6191

Charcoal filter round (kit 2 pieces)



Symbols glossary



Filters: Model has filters to help remove grease from the steam emanating from the pans during cooking.



Lights: All cooker hoods feature lights to illuminate the cooking area or add to the ambience of the kitchen.

