

# KI90XT

Product family	Hood
Hood Type	Decorative island hood
Design	T flat
Extraction	Extraction
Electronic control	Yes
Material	Stainless steel
Type of steel	Brushed
EAN code	8017709226053
Hood width	90 cm
Aesthetic	Universale
Colour	Stainless steel
Finishing	Satin
Logo	Embossed



## Controls

Control setting	Electronic buttons	Led color	White
-----------------	--------------------	-----------	-------

## Program / Functions

No. of speeds	3
Intensive speed	
Time-setting options	

## Technical Features



No. of lights	4	No. of filters	3
Light type	Halogen	Anti-grease filters	Aluminium
Light Power	20 W	Filter replacement indicator	Yes
Free outlet maximum capacity	800 m <sup>3</sup> /h	Vent outlet	150 mm
Motor power	250 W	Non return valve	Yes

	Extraction rate IEC 61591 [m <sup>3</sup> /h]	Noise level IEC 60704-2-13 [dBA]
Speed 1	231	36
Speed 2	435	57
Speed 3	600	65

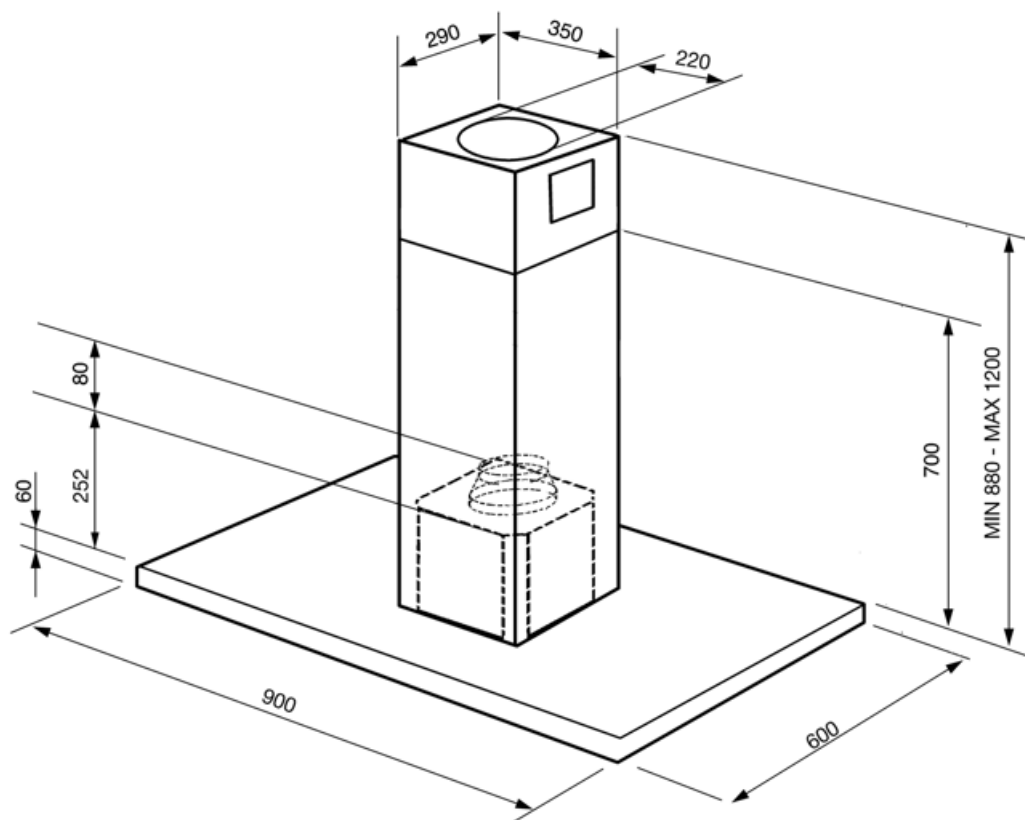
Intensive speed	788	72
-----------------	-----	----

## Electrical Connection

Electrical connection rating	330 W	Power supply cable length	1500 mm
Voltage	120 V	Plug	Not present
Frequency (Hz)	60 Hz		

## Optional accessories

Charcoal filter	FLT6
-----------------	------



---

## Compatible Accessories

---



### FLT6

Round Charcoal filters (kit 2 pieces)



### KITALLFC

Universal Charcoal filter Stainless Steel AISI 304 The filter can be washed in dishwasher 50 °C (water and suitable detergent) and to dry it put in the oven 180°C 25 minutes

---

## Symbols glossary

---

- |  |   |   |  |
|--|---|---|--|
|  | Filters: Model has filters to help remove grease from the steam emanating from the pans during cooking. |  | Switch off automatically: A special setting, to run after the end of cooking for a pre-set time and then switch off automatically. |
|  | Warning light(s): to advise when filters need changing.   |  | Lights: All cooker hoods feature lights to illuminate the cooking area or add to the ambience of the kitchen.                      |
|  | Intensive/turbo setting: when extra fast extraction is required.  |   |  |