

KLT90LXS



Product family	Hood
Tipo de Exaustor	Ceiling hood
Design	Ceiling
Extraction	Extraction
Electronic control	Yes
Perimeter extraction	Yes
Material	Stainless steel
Type of steel	Brushed
EAN code	8017709287412
Aesthetic	Universal
Colour	Stainless steel
Acabamento	Satin
Logotipo	Logotipo serigrafado



Controls

Control setting	Electronic buttons
-----------------	--------------------

Program / Functions

No. of speeds	3
Intensive speed	
24h air filter function	No
Other functions	No
Time-setting options	No
Other options	No
Ventilação automática	No

Technical Features



Hood without motor	No	Motor power	270 W
Remote motor	No	No. of filters	3
No. of lights	2	Anti-grease filters	Aluminium
Light type	LED	Charcoal filters included	No
Light Power	7.4 W	Filter replacement indicator	No
Dimmer mode	No	Vent outlet	150 mm
Escala de temperatura de cor clara (°K)	3000 °K	Minimum distance from GAS hob	650 mm
Faixa de temperatura de cor clara	3000° - 5700° °K		

Free outlet maximum capacity	610 m ³ /h	Minimum distance from ELECTRIC hob	650 mm
		Non return valve	Yes

	Extraction rate IEC 61591 [m ³ /h]	Noise level IEC 60704-2-13 [dBA]
Speed 1	213	51
Speed 2	329	56
Speed 3	459	64
Intensive speed	604	70

Accessories Included

Remote control	Yes	Tube reduction	No
Sliding door	No		

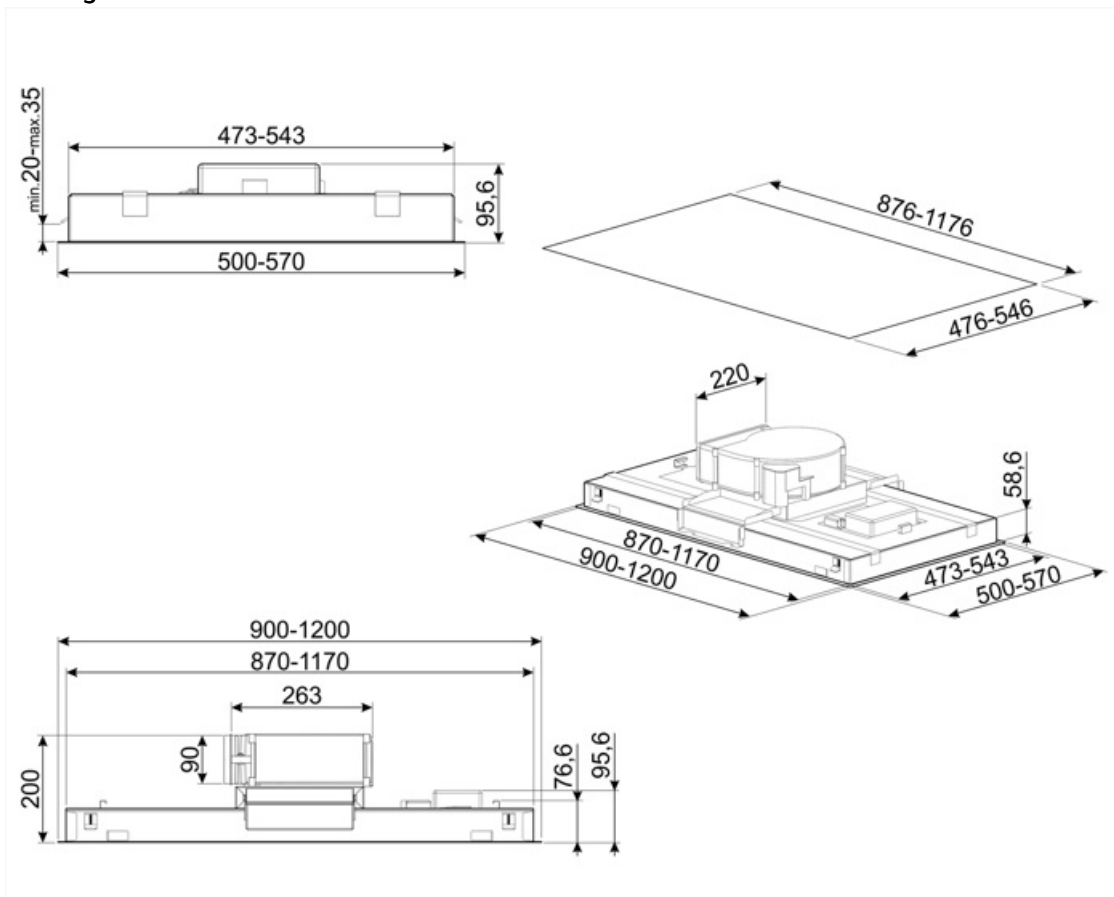
Performance / Energy Label



Consumo anual de energía (CAE exaustor)	94 kWh/a	Airborne acoustical A-weighted sound Power Emission at maximum speed (SPEmax)	64 dBA
Energy efficiency class (EEC)	B	Airbourne acoustical A-weighted sound power emission at boost speed (SPEboost)	70 dBA
Fluid Dynamic Efficiency (FDE)	27,5	Power consumption in stand-by mode (Ps)	0,40 W
Fluid Dynamic Efficiency class (FDEC)	B	Time increase factor (F)	1,0
Lighting Efficiency (LE)	7,9 lux/W	Energy Efficiency Index	63,2
Lighting Efficiency Class (LEC)	F	Measured air flow rate at best efficiency point (Qbep)	358 m ³ /h
Grease Filtering Efficiency (GFE)	43,0 %	Measured air pressure at best efficiency point (Pbep)	633 Pa
Grease Filtering Efficiency Class (GFEC)	G	Measured electric power input at best efficiency point (Wbep)	229 W
Air flow at minumum speed (Qmin)	213 m ³ /h	Nominal Power consumption of the light system (WL)	15 W
Air flow at maximum speed (Qmax)	459 m ³ /h	Average illumination of the light on the cooking surface (Emiddle)	117 lux
Air flow at boost speed (Qboost)	604 m ³ /h	Sound power level at highest setting (Lwa)	70 dBA
Airbourne acoustical A-weighted sound Power Emission at minimum speed (SPEmin)	51 dBA		

Electrical Connection

Plug	No	Frequency (Hz)	50-60 Hz
Electrical connection rating	230 W	Comprimento do cabo de alimentação	1500 mm
Voltage	220-240 V		

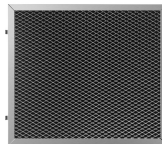


Compatible Accessories



KITALLFC

Filtro de carvão universal Aço inoxidável AISI 304 O filtro pode ser lavado na máquina lava-louça a 50 °C (água e detergente adequado) e para secar colocar no forno 180°C 25 minutos



KITFCKLTR

1 pcs de filtro de carvão Regenerável* adequado para todos os modelos KLT*. * Pode ser lavado na máquina lava-louça até 12 vezes e seco no forno a no máximo 90° durante 60 min. dimensão 235(H)x 200 (L) x 10 (D) mm



RRA90

Round to rectangular adapter 220x90 mm to 150 Ø

Symbols glossary



Filtros: O modelo tem filtros para ajudar a remover a graxa do vapor que emana das panelas durante o cozimento.



Luzes: Todos os exaustores possuem luzes para iluminar a área de cozinhar ou adicionar ao ambiente da cozinha.



Painéis de extração de perímetro: muito eficiente e ajuda na redução de ruído.



Branco sintonizável do quente ao frio



Configuração intensiva/turbo: quando a extração extra rápida é necessária.

Benefit (TT)

Perimetral aspiration

Optimized extraction through the perimeter aspiration system

Perimeter aspiration enhances extraction efficiency by directing vapors along the edges of the panel beneath the filters, optimizing air capture

Dimmering & Tunable lights

Customized lighting with LED lights featuring adjustable intensity and color temperature, from warm to cool tones