

# KPF30UAN

Product family	Hood
Hood Type	Decorative wall hood
Design	Chimney
Extraction	Extraction
Material	Stainless Steel + Painted Material
Type of steel	Brushed
EAN code	8017709261764
Aesthetic	Portofino
Colour	Anthracite
Serigraphy colour	Silver
Logo	Applied





## Controls

Control setting	Control knobs	Control knobs	Portofino
No. of controls	2	Controls colour	Steel effect

## Program / Functions

No. of speeds	4
---------------	---

## Technical Features

			
No. of lights	2	No. of filters	3
Light type	LED	Anti-grease filters	Stainless steel
Light Power	2 W	Vent outlet	5 7/8 "
Light color temperature scale (°K)	4000 °K	Minimum distance from GAS hob	750 "
Free outlet maximum capacity	577 CFM	Minimum distance from ELECTRIC hob	650 "
Motor power	455 W	Non return valve	Yes

	Extraction rate IEC 61591 [CFM]	Noise level IEC 60704-2-13 [dBA]
Speed 1	210.5	53
Speed 2	317	62

Speed 3	437.5	69
Speed 4	573.5	75

## Electrical Connection

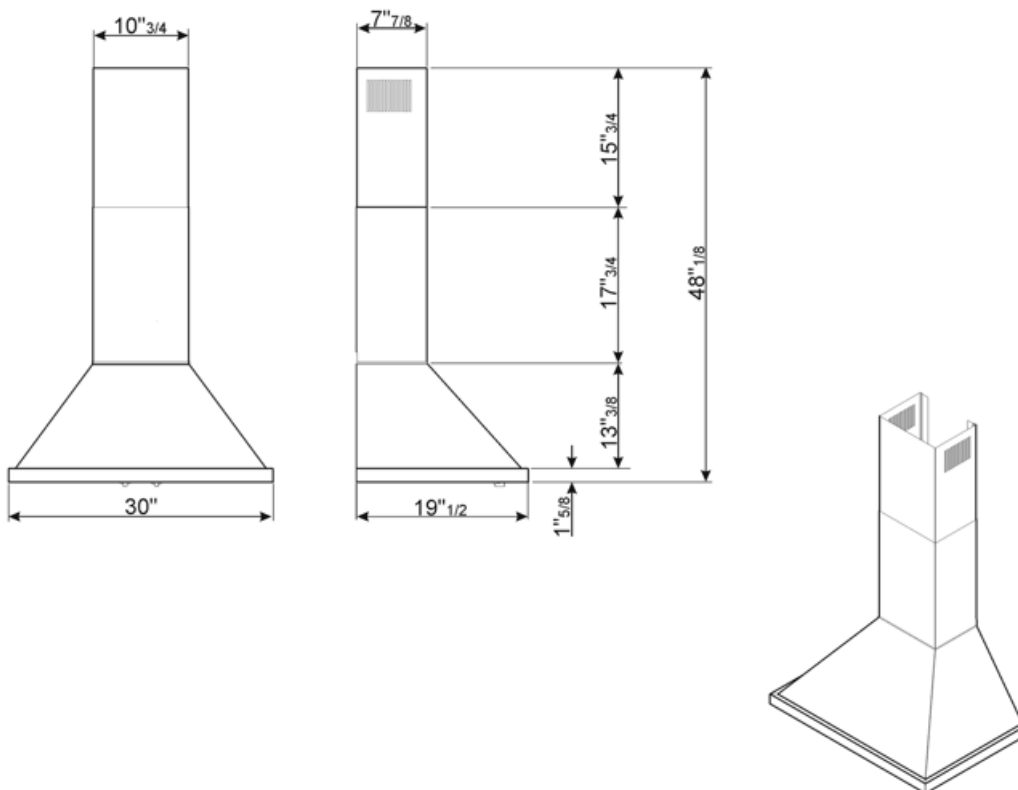
Electrical connection rating	495 W	Frequency (Hz)	60 Hz
Voltage	120 V	Power supply cable length	1000 "

## Also available

Alternative colours available	White, Black, Anthracite, Yellow, Green, Red, Orange	Available colours	KPF30UWH-BL-AN-YW-OG-RD-OR
-------------------------------	--	-------------------	----------------------------

## Optional accessories

Charcoal filter FLTK-1



---

## Compatible Accessories

---

FLT6U



KITALLFC

Universal Charcoal filter Stainless Steel AISI 304 The filter can be washed in dishwasher 50 °C (water and suitable detergent) and to dry it put in the oven 180°C 25 minutes

---

## Symbols glossary

---



**Filters:** Model has filters to help remove grease from the steam emanating from the pans during cooking.



**Lights:** All cooker hoods feature lights to illuminate the cooking area or add to the ambience of the kitchen.