

# KS110XE

Product family	Hood
Hood Type	Decorative wall hood
Design	T flat
Extraction	Extraction
Electronic control	Yes
Material	Stainless steel
Type of steel	Brushed
EAN code	8017709201869
Hood width	110 cm
Aesthetic	Universale
Colour	Stainless steel
Finishing	Satin
Logo	Embossed



## Controls

Control setting	Electronic buttons
-----------------	--------------------

## Program / Functions

No. of speeds	3
Intensive speed	
Time-setting options	

## Technical Features



No. of lights	2	Anti-grease filters	Aluminium
Light type	LED	Filter replacement indicator	Yes
Light Power	1 W	Vent outlet	150 mm
Light color temperature scale (K)	4000 K	Minimum distance from GAS hob	750 mm
Free outlet maximum capacity	800 m <sup>3</sup> /h	Minimum distance from ELECTRIC hob	650 mm
Motor power	275 W	Non return valve	Yes
No. of filters	3		

	Extraction rate IEC 61591 [m <sup>3</sup> /h]	Noise level IEC 60704-2-13 [dBA]
Speed 1	295	51

Speed 2	395	58
Speed 3	513	64
Intensive speed	702	72

## Performance / Energy Label



<b>Annual Efficiency Consumption (AEchood)</b>	62 kWh/a	<b>Airbourne acoustical A-weighted sound Power Emission at minimum speed (SPEmin)</b>	51 dBA
<b>Energy efficiency class (EEC)</b>	B	<b>Airborne acoustical A-weighted sound Power Emission at maximum speed (SPEmax)</b>	64 dBA
<b>Fluid Dynamic Efficiency (FDE)</b>	27.9	<b>Airbourne acoustical A-weighted sound power emission at boost speed (SPEboost)</b>	72 dBA
<b>Fluid Dynamic Efficiency class (FDEC)</b>	B	<b>Time increase factor (F)</b>	1.00
<b>Lighting Efficiency (LE)</b>	84.1 lux/W	<b>Measured air flow rate at best efficiency point (Qbep)</b>	373 m <sup>3</sup> /h
<b>Lighting Efficiency Class (LEC)</b>	A	<b>Measured air pressure at best efficiency point (Pbep)</b>	430 Pa
<b>Grease Filtering Efficiency (GFE)</b>	78.7 %	<b>Measured electric power input at best efficiency point (Wbep)</b>	160 W
<b>Grease Filtering Efficiency Class (GFEC)</b>	C	<b>Nominal Power consumption of the light system (WL)</b>	2 W
<b>Air flow at minumum speed (Qmin)</b>	295 m <sup>3</sup> /h	<b>Average illumination of the light on the cooking surface (Emiddle)</b>	370 lux
<b>Air flow at maximum speed (Qmax)</b>	513 m <sup>3</sup> /h	<b>Sound power level at highest setting (Lwa)</b>	64 dBA
<b>Air flow at boost speed (Qboost)</b>	702 m <sup>3</sup> /h		

## Electrical Connection

<b>Electrical connection rating</b>	278 W	<b>Power supply cable length</b>	1000 mm
<b>Voltage</b>	220-240 V	<b>Plug</b>	Not present
<b>Frequency (Hz)</b>	50-60 Hz		

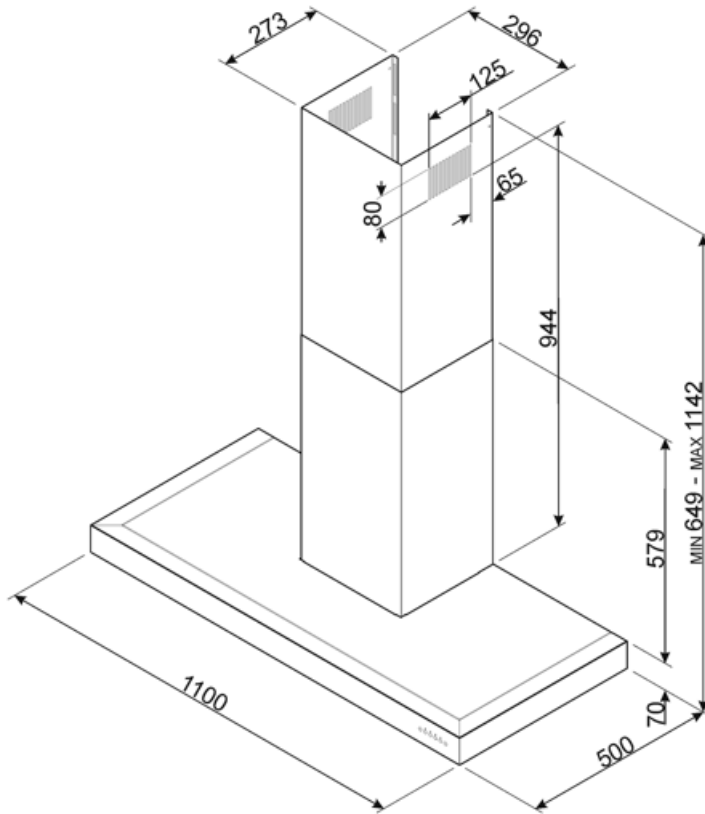
## Also available

<b>Alternative colours available</b>	Black, Cream	<b>Available colours</b>	KS110BLE - KS110PE
--------------------------------------	--------------	--------------------------	--------------------

## Optional accessories

Charcoal filter

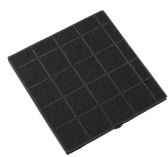
FLT4



---

## Compatible Accessories

---



**FLT4**

Charcoal filter Kit 1 piece



**KITALLFC**

Universal Charcoal filter Stainless Steel AISI 304 The filter can be washed in dishwasher 50 °C (water and suitable detergent) and to dry it put in the oven 180°C 25 minutes

---

## Symbols glossary

---

- |  |   |   |  |
|--|---|---|--|
|  | Filters: Model has filters to help remove grease from the steam emanating from the pans during cooking. |  | Switch off automatically: A special setting, to run after the end of cooking for a pre-set time and then switch off automatically. |
|  | Warning light(s): to advise when filters need changing.   |  | Lights: All cooker hoods feature lights to illuminate the cooking area or add to the ambience of the kitchen.                      |
|  | Intensive/turbo setting: when extra fast extraction is required.  |  |  |