

# KS89AOE

|                      |                      |
|----------------------|----------------------|
| Product family       | Hood                 |
| Hood Type            | Decorative wall hood |
| Design               | Chimney              |
| Extraction           | Extraction           |
| Material             | Painted material     |
| Type of steel        | Brushed              |
| EAN code             | 8017709211868        |
| Aesthetic            | Coloniale            |
| Colour               | Anthracite           |
| Components finishing | Antique brass        |
| Logo                 | Applied              |





## Controls

|                 |               |                 |           |
|-----------------|---------------|-----------------|-----------|
| Control setting | Control knobs | Control knobs   | Colonial  |
| No. of controls | 2             | Controls colour | Old Brass |

## Programs / Functions

|                 |   |
|-----------------|---|
| No. of speeds   | 3   |
| Intensive speed |  |

## Technical Features

|  |   |                                    |                 |
|--|---|------------------------------------|-----------------|
|  |  |                                    |                 |
| No. of lights  | 2   | No. of filters                     | 3               |
| Light type   | LED   | Anti-grease filters                | Stainless steel |
| Light Power  | 1 W   | Vent outlet                        | 150 mm          |
| Light color temperature scale (°K)   | 3000 °K   | Minimum distance from GAS hob      | 750 mm          |
| Free outlet maximum capacity   | 820 m <sup>3</sup> /h   | Minimum distance from ELECTRIC hob | 650 mm          |
| Motor power  | 275 W   | Non return valve                   | Yes             |

|         | Extraction rate IEC 61591 [m <sup>3</sup> /h] | Noise level IEC 60704-2-13 [dBA] |
|---------|---|----------------------------------|
| Speed 1 | 331   | 52                               |
| Speed 2 | 439   | 57                               |

|                 |     |    |
|-----------------|-----|----|
| Speed 3         | 547 | 63 |
| Intensive speed | 788 | 71 |

## Performance / Energy Label



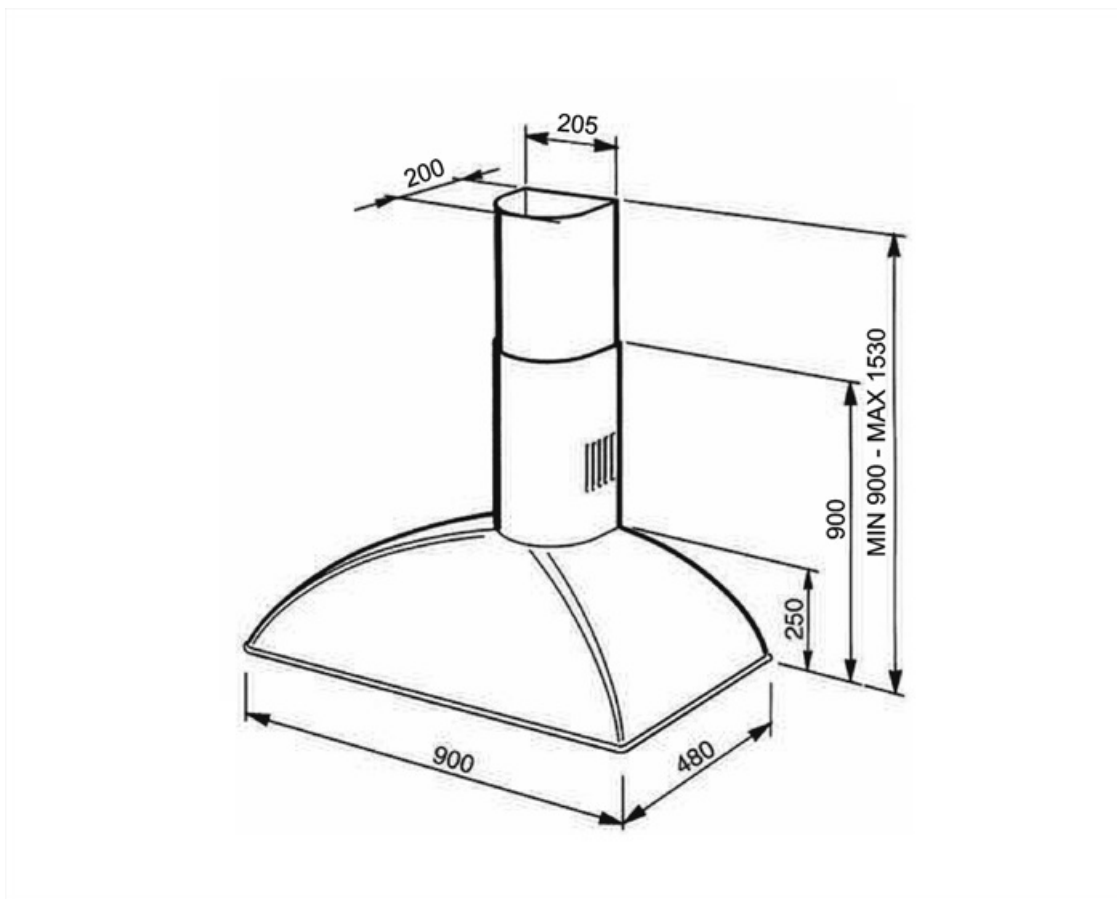
|  |                       |  |                       |
|--|-----------------------|--|-----------------------|
| Annual Efficiency Consumption (AEChood)  | 55 kWh/a              | Airbourne acoustical A-weighted sound Power Emission at minimum speed (SPEmin) | 52 dBA                |
| Energy efficiency class (EEC)            | A                     | Airborne acoustical A-weighted sound Power Emission at maximum speed (SPEmax)  | 63 dBA                |
| Fluid Dynamic Efficiency (FDE)           | 31                    | Airbourne acoustical A-weighted sound power emission at boost speed (SPEboost) | 71 dBA                |
| Fluid Dynamic Efficiency class (FDEC)    | A                     | Time increase factor (F)   | 0,9                   |
| Lighting Efficiency (LE)                 | 90,9 lux/W            | Energy Efficiency Index  | 51,9                  |
| Lighting Efficiency Class (LEC)          | A                     | Measured air flow rate at best efficiency point (Qbep)                         | 406 m <sup>3</sup> /h |
| Grease Filtering Efficiency (GFE)        | 80,1 %                | Measured air pressure at best efficiency point (Pbep)                          | 449 Pa                |
| Grease Filtering Efficiency Class (GFEC) | C                     | Measured electric power input at best efficiency point (Wbep)                  | 164 W                 |
| Air flow at mininum speed (Qmin)         | 331 m <sup>3</sup> /h | Nominal Power consumption of the light system (WL)                             | 2 W                   |
| Air flow at maximum speed (Qmax)         | 547 m <sup>3</sup> /h | Average illumination of the light on the cooking surface (Emiddle)             | 200 lux               |
| Air flow at boost speed (Qboost)         | 788 m <sup>3</sup> /h | Sound power level at highest setting (Lwa)                                     | 63 dBA                |

## Electrical Connection

|                              |             |                           |          |
|------------------------------|-------------|---------------------------|----------|
| Plug                         | Not present | Frequency (Hz)            | 50-60 Hz |
| Electrical connection rating | 277 W       | Power supply cable length | 1000 mm  |
| Voltage                      | 220-240 V   |                           |          |

## Also available

|                               |                         |                   |                                      |
|-------------------------------|-------------------------|-------------------|--------------------------------------|
| Alternative colours available | Cream, Gunmetal, Copper | Available colours | KS89POE-KS89PE-KS89DE-KS89RAE-KS89AE |
|-------------------------------|-------------------------|-------------------|--------------------------------------|



---

## Compatible Accessories

---

### FLT6

Round Charcoal filters (kit 2 pieces)



### KITALLFC

Universal Charcoal filter Stainless Steel AISI 304 The filter can be washed in dishwasher 50 °C (water and suitable detergent) and to dry it put in the oven 180°C 25 minutes

---

## Symbols glossary

---



A



**Lights:** All cooker hoods feature lights to illuminate the cooking area or add to the ambience of the kitchen.



**Filters:** Model has filters to help remove grease from the steam emanating from the pans during cooking.



**Intensive/turbo setting:** when extra fast extraction is required.