

KS90XT

Product family	Hood
Hood Type	Decorative wall hood
Design	T flat
Extraction	Extraction
Material	Stainless steel
Type of steel	Brushed
EAN code	8017709288860
Aesthetic	Universale
Colour	Stainless steel
Finishing	Brushed
Logo	Embossed



Controls

Control setting	Buttons
-----------------	---------

Programs / Functions

No. of speeds	3
---------------	---

Technical Features

			
No. of lights	2	No. of filters	3
Light type	LED	Anti-grease filters	Aluminium
Light Power	1 W	Vent outlet	150 mm
Light color temperature scale (°K)	3000 °K	Minimum distance from GAS hob	750 mm
Free outlet maximum capacity	700 m ³ /h	Minimum distance from ELECTRIC hob	650 mm
Motor power	250 W	Non return valve	Yes

	Extraction rate IEC 61591 [m ³ /h]	Noise level IEC 60704-2-13 [dBA]
Speed 1	210	37
Speed 2	396	56

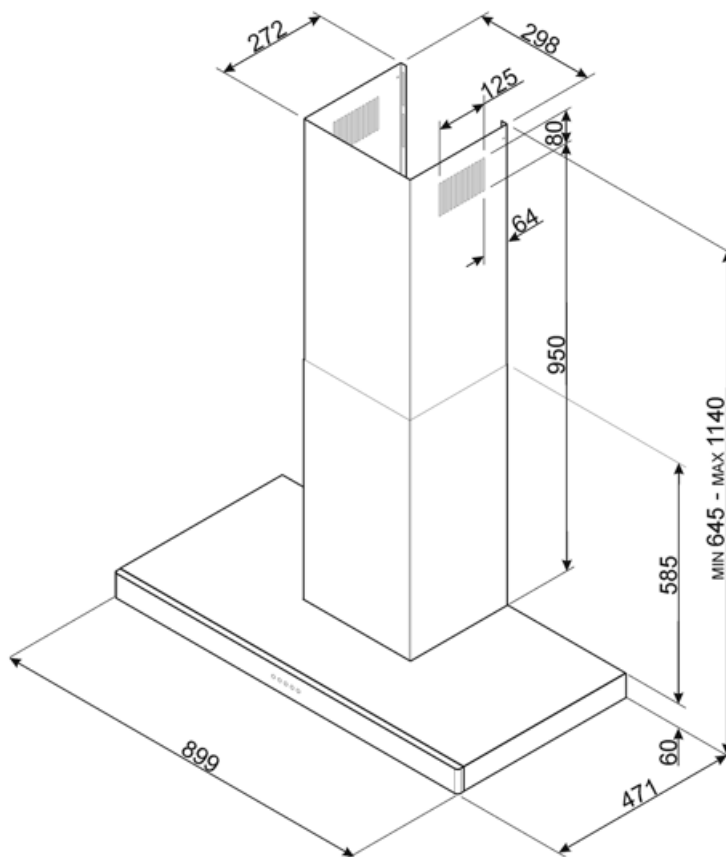
Speed 3	726	72
------------	-----	----

Electrical Connection

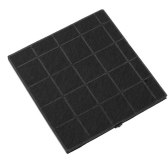
Plug	Not present	Frequency (Hz)	60 Hz
Electrical connection rating	252 W	Power supply cable length	1500 mm
Voltage	120 V		

Optional accessories

Charcoal filter FLT4



Compatible Accessories



FLT4

Charcoal filter Kit 1 piece

Symbols glossary



Filters: Model has filters to help remove grease from the steam emanating from the pans during cooking.



Lights: All cooker hoods feature lights to illuminate the cooking area or add to the ambience of the kitchen.