

KSEC61NE2

Product family	Hood
Hood Type	Integrated (semi) hood
Design	Visible front panel
Extraction	Extraction
Material	Painted material
EAN code	8017709274870
Hood width	60 cm



Aesthetics

Aesthetic Colour	Universale Black	Serigraphy colour Logo	Silver Silk screen
------------------	------------------	------------------------	--------------------

Controls

Control setting	Slider
-----------------	--------

Programme / Functions

No. of speeds	3
---------------	---

Technical Features

			
No. of lights	2	No. of filters	1
Light type	LED	Anti-grease filters	Aluminium
Light Power	4 W	Vent outlet	120 mm
Free outlet maximum capacity	300 m ³ /h	Minimum distance from GAS hob	650 mm
Motor power	125 W	Minimum distance from ELECTRIC hob	500 mm

	Extraction rate IEC 61591 [m ³ /h]	Noise level IEC 60704-2-13 [dB(A)]
Speed 1	135	56
Speed 2	200	64
Speed 3	285	69

Performance / Energy Label



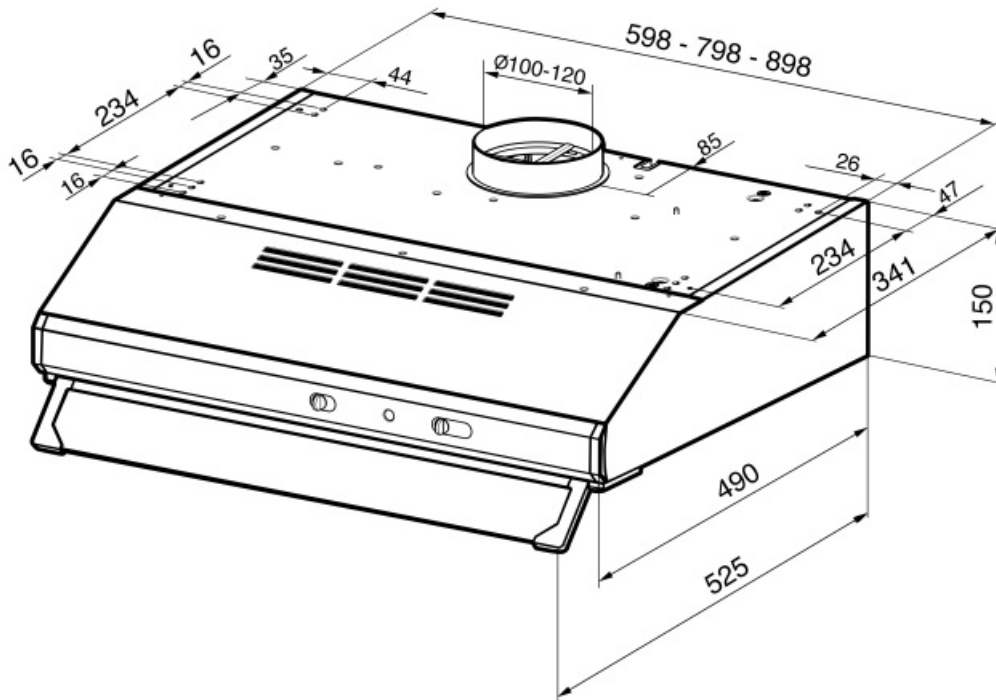
Annual Efficiency Consumption (AEChood)	67 kWh/a	Airbourne acoustical A-weighted sound Power Emission at minimum speed (SPEmin)	56 dB(A)
Energy efficiency class (EEC)	D	Airborne acoustical A-weighted sound Power Emission at maximum speed (SPEmax)	69 dB(A)
Fluid Dynamic Efficiency (FDE)	8.1	Time increase factor (F)	1.7
Fluid Dynamic Efficiency class (FDEC)	E	Energy Efficiency Index	90.5
Lighting Efficiency (LE)	11 lux/W	Measured air flow rate at best efficiency point (Qbep)	149 m ³ /h
Lighting Efficiency Class (LEC)	E	Measured air pressure at best efficiency point (Pbep)	193 Pa
Grease Filtering Efficiency (GFE)	40 %	Measured electric power input at best efficiency point (Wbep)	99 W
Grease Filtering Efficiency Class (GFEC)	G	Nominal Power consumption of the light system (WL)	8 W
Air flow at minumum speed (Qmin)	135 m ³ /h	Average illumination of the light on the cooking surface (Emiddle)	90 lux
Air flow at maximum speed (Qmax)	285 m ³ /h	Sound power level at highest setting (Lwa)	69 dB(A)

Electrical Connection

Electrical connection rating	133 W	Frequency (Hz)	50 Hz
Voltage	220-240 V	Power supply cable length	1000 mm

Also available

Alternative colours available	White, Stainless steel	Available colours	KSEC61EB2 - KSEC61XE2
-------------------------------	------------------------	-------------------	-----------------------



Not included accessories



KITFC111

Charcoal filters round Kit 1 piece

Symbols glossary (TT)



Filters: Model has filters to help remove grease from the steam emanating from the pans during cooking.



D: Product energy rating, measured from A+++ to D / G depending on the product family.



Lights: All cooker hoods feature lights to illuminate the cooking area or add to the ambience of the kitchen.