

# KSEC61NE3

Product family	Hood
Hood Type	Integrated (semi) hood
Design	Visible front panel
Extraction	Extraction
Material	Painted material
EAN code	8017709343323
Hood width	60 cm
Aesthetic	Universale
Colour	Black
Serigraphy colour	Black
Logo	Silk screen



## Controls

Control setting	Slider
-----------------	--------

## Program / Functions

No. of speeds	3
---------------	---

## Technical Features



No. of lights	2	No. of filters	1
Light type	LED	Anti-grease filters	Metallic multilayer
Light Power	4 W	Charcoal filters included	Yes
Light color temperature scale (K)	4000 K	Vent outlet	120 mm
Free outlet maximum capacity	315 m <sup>3</sup> /h	Minimum distance from GAS hob	650 mm
Motor power	115 W	Minimum distance from ELECTRIC hob	450 mm

	Extraction rate IEC 61591 [m <sup>3</sup> /h]	Noise level IEC 60704-2-13 [dBA]
Speed 1	170	58
Speed 2	240	66

Speed 3	305	72
------------	-----	----

## Performance / Energy Label



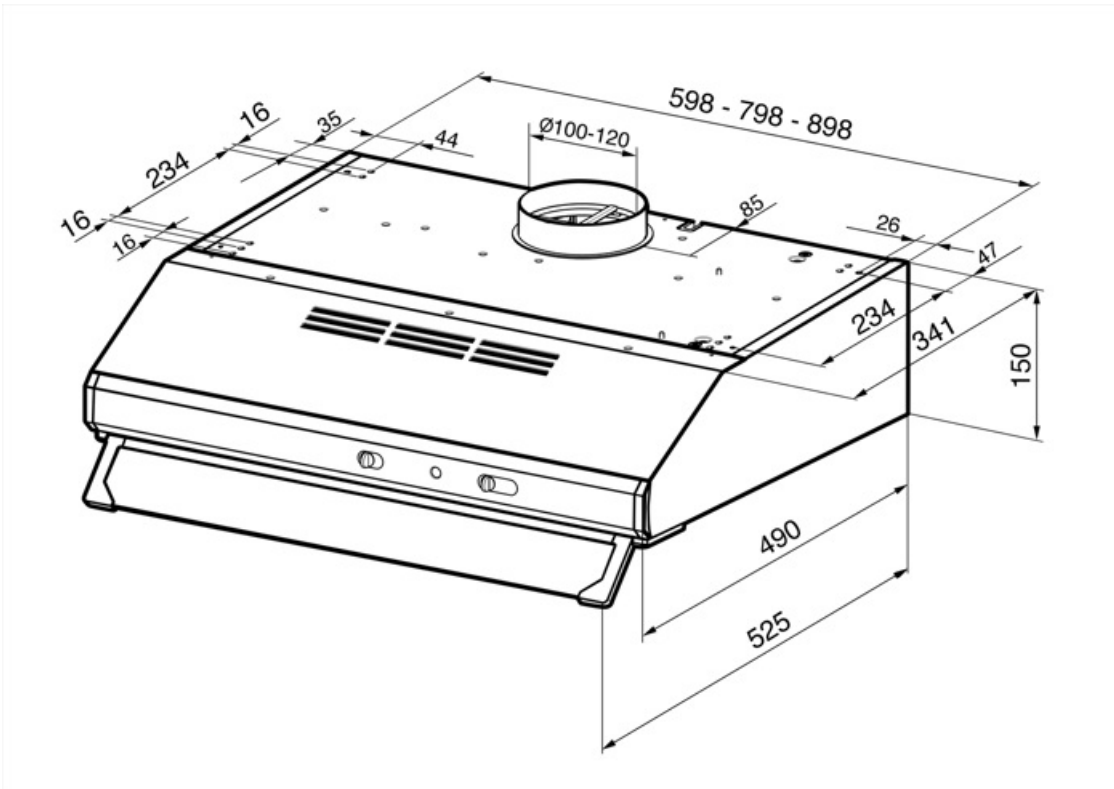
Annual Efficiency Consumption (AEChood)	60 kWh/a	Airbourne acoustical A-weighted sound Power Emission at minimum speed (SPEmin)	58 dBA
Energy efficiency class (EEC)	C	Airborne acoustical A-weighted sound Power Emission at maximum speed (SPEmax)	72 dBA
Fluid Dynamic Efficiency (FDE)	10	Time increase factor (F)	1,6
Fluid Dynamic Efficiency class (FDEC)	E	Energy Efficiency Index	84,8
Lighting Efficiency (LE)	11 lux/W	Measured air flow rate at best efficiency point (Qbep)	167 m <sup>3</sup> /h
Lighting Efficiency Class (LEC)	E	Measured air pressure at best efficiency point (Pbep)	198 Pa
Grease Filtering Efficiency (GFE)	40 %	Measured electric power input at best efficiency point (Wbep)	92 W
Grease Filtering Efficiency Class (GFEC)	G	Nominal Power consumption of the light system (WL)	8 W
Air flow at minumum speed (Qmin)	170 m <sup>3</sup> /h	Average illumination of the light on the cooking surface (Emiddle)	90 lux
Air flow at maximum speed (Qmax)	305 m <sup>3</sup> /h	Sound power level at highest setting (Lwa)	72 dBA

## Electrical Connection

Electrical connection rating	133 W	Power supply cable length	1500 mm
Voltage	220-240 V	Plug	Not present
Frequency (Hz)	50-60 Hz		

## Also available

Alternative colours available	White, Stainless steel	Available colours	KSEC61BE3 - KSEC61XE3
-------------------------------	------------------------	-------------------	-----------------------



---

## Compatible Accessories

---



**KITFC111**

Charcoal filters round Kit 1 piece

---

## Symbols glossary

---



**Filters:** Model has filters to help remove grease from the steam emanating from the pans during cooking.



**Charcoal filters:** Extracting through charcoal filters or directly to the exterior lessens strong cooking odours considerably.



**Lights:** All cooker hoods feature lights to illuminate the cooking area or add to the ambience of the kitchen.

