

## KSEC61XE2

Product family	Hood
Hood Type	Integrated (semi) hood
Design	Visible front panel
Extraction	Extraction
Material	Stainless Steel + Painted Material
EAN code	8017709274863
Hood width	60 cm



## Aesthetics

Aesthetic Colour	Universale Stainless steel	Serigraphy colour Logo	Black Silk screen
------------------	-------------------------------	---------------------------	----------------------

## Controls

Control setting	Slider
-----------------	--------

## Programme / Functions

No. of speeds	3
---------------	---

## Technical Features



No. of lights	2	No. of filters	1
Light type	LED	Anti-grease filters	Aluminium
Light Power	4 W	Vent outlet	120 mm
Free outlet maximum capacity	300 m <sup>3</sup> /h	Minimum distance from GAS hob	650 mm
Motor power	125 W	Minimum distance from ELECTRIC hob	500 mm

	Extraction rate IEC 61591 [m <sup>3</sup> /h]	Noise level IEC 60704-2-13 [dB(A)]
Speed 1	135	56
Speed 2	200	64
Speed 3	285	69

## Performance / Energy Label



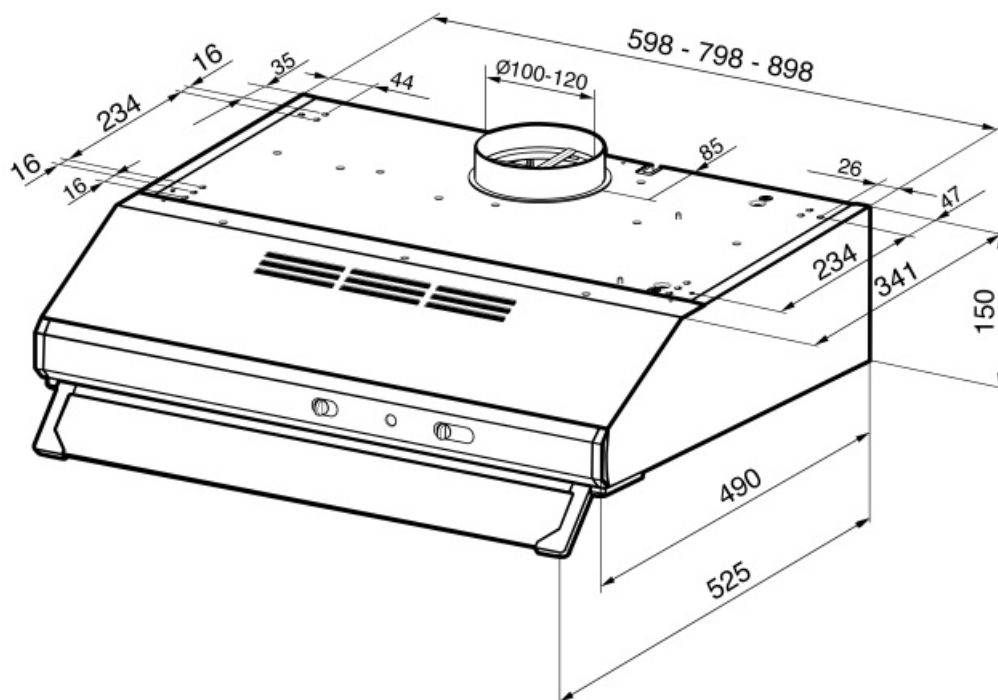
Annual Efficiency Consumption (AEChood)	67 kWh/a	Airbourne acoustical A-weighted sound Power Emission at minimum speed (SPEmin)	56 dB(A)
Energy efficiency class (EEC)	D	Airborne acoustical A-weighted sound Power Emission at maximum speed (SPEmax)	69 dB(A)
Fluid Dynamic Efficiency (FDE)	8,1	Time increase factor (F)	1,7
Fluid Dynamic Efficiency class (FDEC)	E	Energy Efficiency Index	90,5
Lighting Efficiency (LE)	11 lux/W	Measured air flow rate at best efficiency point (Qbep)	149 m <sup>3</sup> /h
Lighting Efficiency Class (LEC)	E	Measured air pressure at best efficiency point (Pbep)	193 Pa
Grease Filtering Efficiency (GFE)	40 %	Measured electric power input at best efficiency point (Wbep)	99 W
Grease Filtering Efficiency Class (GFEC)	G	Nominal Power consumption of the light system (WL)	8 W
Air flow at minumum speed (Qmin)	135 m <sup>3</sup> /h	Average illumination of the light on the cooking surface (Emiddle)	90 lux
Air flow at maximum speed (Qmax)	285 m <sup>3</sup> /h	Sound power level at highest setting (Lwa)	69 dB(A)

## Electrical Connection

Electrical connection rating	133 W	Frequency (Hz)	50 Hz
Voltage	220-240 V	Power supply cable length	1000 mm

## Also available

Alternative colours available	White, Black	Available colours	KSEC61EB2 - KSEC61NE2
-------------------------------	--------------	-------------------	-----------------------



## Not included accessories

---



**KITFC111**

Charcoal filters round Kit 1 piece

---

## Symbols glossary (TT)

---



**Filters:** Model has filters to help remove grease from the steam emanating from the pans during cooking.



**D:** Product energy rating, measured from A+++ to D / G depending on the product family.



**Lights:** All cooker hoods feature lights to illuminate the cooking area or add to the ambience of the kitchen.