

# KSEC81XE2

Product family	Hood
Tipo de Exaustor	Integrated (semi) hood
Design	Visible front panel
Extraction	Extraction
Electronic control	No
Perimeter extraction	No
Material	Stainless Steel + Painted Material
EAN code	8017709274894
Aesthetic	Universal
Colour	Stainless steel/Black
Cor da serigrafia	Serigrafia em preto
Logotipo	Logotipo serigrafado





## Controls

Control setting	Slider
-----------------	--------

## Program / Functions

No. of speeds	3
Intensive speed	No
24h air filter function	No
Other functions	No
Time-setting options	No
Other options	No
Ventilação automática	No

## Technical Features

			
Hood without motor	No	No. of filters	1
Remote motor	No	Anti-grease filters	Aluminium
No. of lights	2	Charcoal filters included	No
Light type	LED	Filter replacement indicator	No
Light Power	4 W	Vent outlet	120 mm
Dimmer mode	No	Minimum distance from GAS hob	650 mm
Free outlet maximum capacity	300 m <sup>3</sup> /h	Minimum distance from ELECTRIC hob	500 mm
Motor power	125 W	Non return valve	No

	Extraction rate IEC 61591 [m <sup>3</sup> /h]	Noise level IEC 60704-2-13 [dBA]
Speed 1	135	56
Speed 2	200	64
Speed 3	285	69

## Accessories Included

Remote control	No	Tube reduction	No
Sliding door	No		

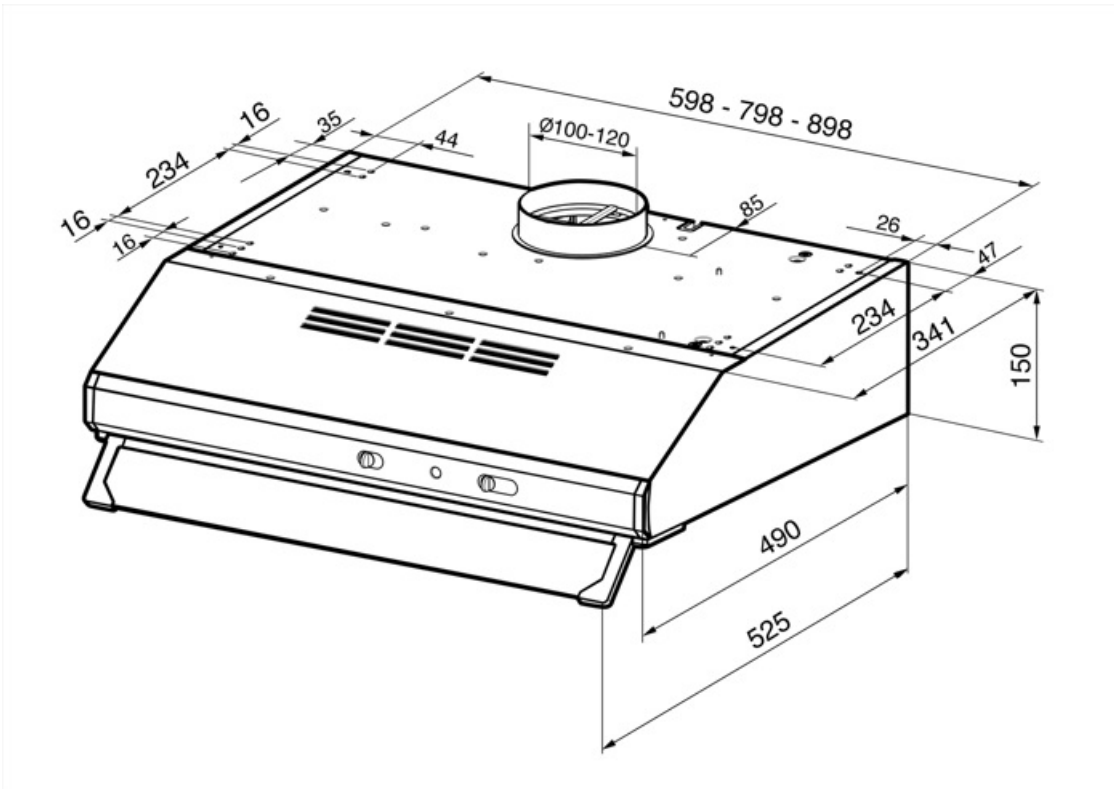
## Performance / Energy Label



Consumo anual de energia (CAE exaustor)	67 kWh/a	Airbourne acoustical A-weighted sound Power Emission at minimum speed (SPEmin)	56 dBA
Energy efficiency class (EEC)	D	Airborne acoustical A-weighted sound Power Emission at maximum speed (SPEmax)	69 dBA
Fluid Dynamic Efficiency (FDE)	8,1	Time increase factor (F)	1,7
Fluid Dynamic Efficiency class (FDEC)	E	Energy Efficiency Index	90,5
Lighting Efficiency (LE)	11 lux/W	Measured air flow rate at best efficiency point (Qbep)	149 m <sup>3</sup> /h
Lighting Efficiency Class (LEC)	E	Measured air pressure at best efficiency point (Pbep)	193 Pa
Grease Filtering Efficiency (GFE)	40 %	Measured electric power input at best efficiency point (Wbep)	99 W
Grease Filtering Efficiency Class (GFEC)	G	Nominal Power consumption of the light system (WL)	8 W
Air flow at minimum speed (Qmin)	135 m <sup>3</sup> /h	Average illumination of the light on the cooking surface (Emiddle)	90 lux
Air flow at maximum speed (Qmax)	285 m <sup>3</sup> /h	Sound power level at highest setting (Lwa)	69 dBA

## Electrical Connection

Plug	No	Frequency (Hz)	50 Hz
Electrical connection rating	133 W	Comprimento do cabo de alimentação	1000 mm
Voltage	220-240 V		



---

## Compatible Accessories

---



**KITFC111**

Filtros de carvão redondos Kit 1 peça

---

## Symbols glossary

---



Filtros: O modelo tem filtros para ajudar a remover a graxa do vapor que emana das panelas durante o cozimento.



Luzes: Todos os exaustores possuem luzes para iluminar a área de cozinhar ou adicionar ao ambiente da cozinha.