

# KSEC81XE3

Product family	Hood
Hood Type	Integrated (semi) hood
Design	Visible front panel
Extraction	Extraction
Material	Stainless Steel + Painted Material
EAN code	8017709343347
Hood width	80 cm



## Aesthetics

Aesthetic Colour	Universale Stainless steel/Black	Serigraphy colour Logo	Black Silk screen
------------------	-------------------------------------	---------------------------	----------------------

## Controls

Control setting	Slider
-----------------	--------

## Technical Features



No. of lights	2	No. of filters	1
Light type	LED	Anti-grease filters	Metallic multilayer
Light Power	4 W	Charcoal filters included	Yes
Light color temperature scale (°K)	4000 °K	Vent outlet	120 mm
Free outlet maximum capacity	315 m³/h	Minimum distance from GAS hob	650 mm
Motor power	115 W	Minimum distance from ELECTRIC hob	450 mm

	Extraction rate IEC 61591 [m³/h]	Noise level IEC 60704-2-13 [dBA]
Speed 1	170	58
Speed 2	240	66

Speed 3	305	72
------------	-----	----

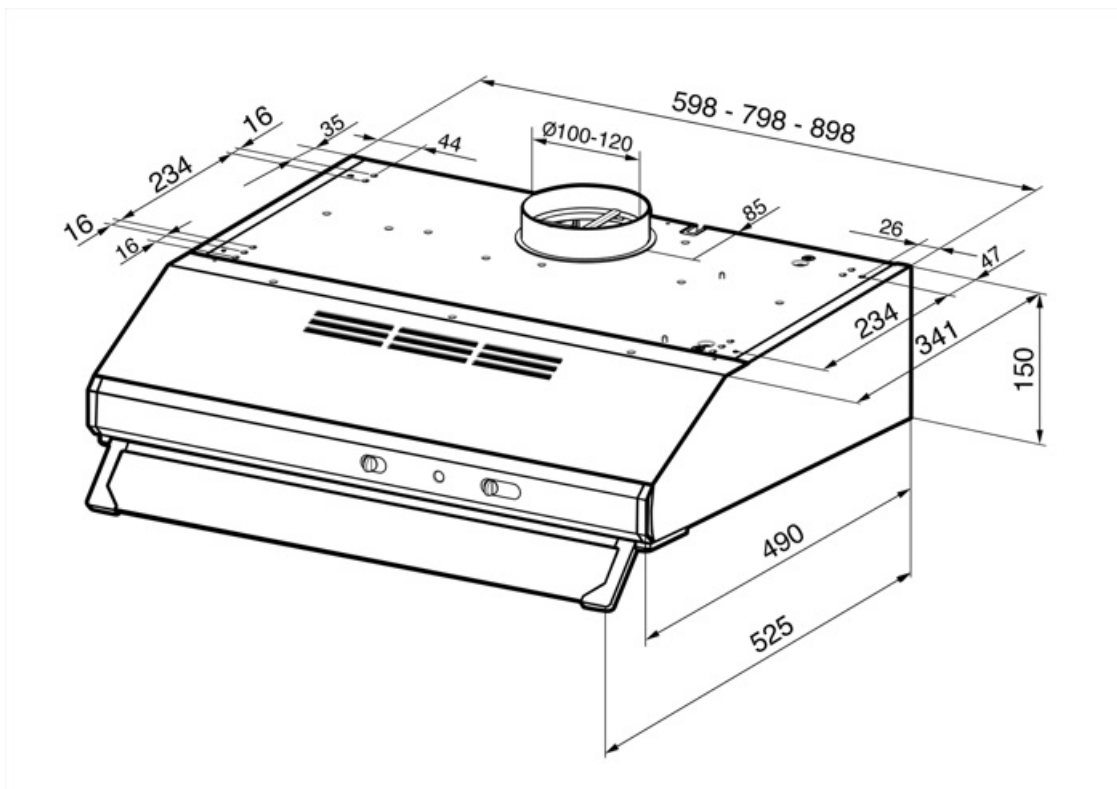
## Performance / Energy Label



Annual Efficiency Consumption (AEChood)	60 kWh/a	Airbourne acoustical A-weighted sound Power Emission at minimum speed (SPEmin)	58 dBA
Energy efficiency class (EEC)	C	Airborne acoustical A-weighted sound Power Emission at maximum speed (SPEmax)	72 dBA
Fluid Dynamic Efficiency (FDE)	10	Time increase factor (F)	1.6
Fluid Dynamic Efficiency class (FDEC)	E	Energy Efficiency Index	84.8
Lighting Efficiency (LE)	11 lux/W	Measured air flow rate at best efficiency point (Qbep)	167 m <sup>3</sup> /h
Lighting Efficiency Class (LEC)	E	Measured air pressure at best efficiency point (Pbep)	198 Pa
Grease Filtering Efficiency (GFE)	40 %	Measured electric power input at best efficiency point (Wbep)	92 W
Grease Filtering Efficiency Class (GFEC)	G	Nominal Power consumption of the light system (WL)	8 W
Air flow at minumum speed (Qmin)	170 m <sup>3</sup> /h	Average illumination of the light on the cooking surface (Emiddle)	90 lux
Air flow at maximum speed (Qmax)	305 m <sup>3</sup> /h	Sound power level at highest setting (Lwa)	72 dBA

## Electrical Connection

Plug	Not present	Frequency (Hz)	50 Hz
Electrical connection rating	133 W	Power supply cable length	1500 mm
Voltage	220-240 V		



## Not included accessories

---



**KITFC111**

Charcoal filters round Kit 1 piece

---

## Symbols glossary (TT)

---



Filters: Model has filters to help remove grease from the steam emanating from the pans during cooking.



Charcoal filters: Extracting through charcoal filters or directly to the exterior lessens strong cooking odours considerably.



Lights: All cooker hoods feature lights to illuminate the cooking area or add to the ambience of the kitchen.