

KSED95P9

Product family	Hood
Hood Type	Chimney Cooker Hoods
Design	Chimney
Extraction	Ducted out or re-circulation possible
Material	Painted material
EAN code	8017709161101



Aesthetics

Aesthetics Colour	Universal Cream	Serigraphy colour Logo	Black Embossed
-------------------	-----------------	------------------------	----------------

Controls

Control setting	Slider
-----------------	--------

Technical Features



No. of lights	2	Anti-grease filters	Aluminium
Light type	Halogen	Charcoal filters included	Yes
Light power	28 W	Vent outlet	120 mm
Motor power	200 W	Minimum distance from GAS hob	750 mm
No. of filters	3	Minimum distance from ELECTRIC hob	650 mm

	Extraction rate IEC 61591 [m³/h]	Noise level IEC 60704-2-13 [dBA]
Speed 1	285	50
Speed 2	370	60

Speed 3	535	72
------------	-----	----

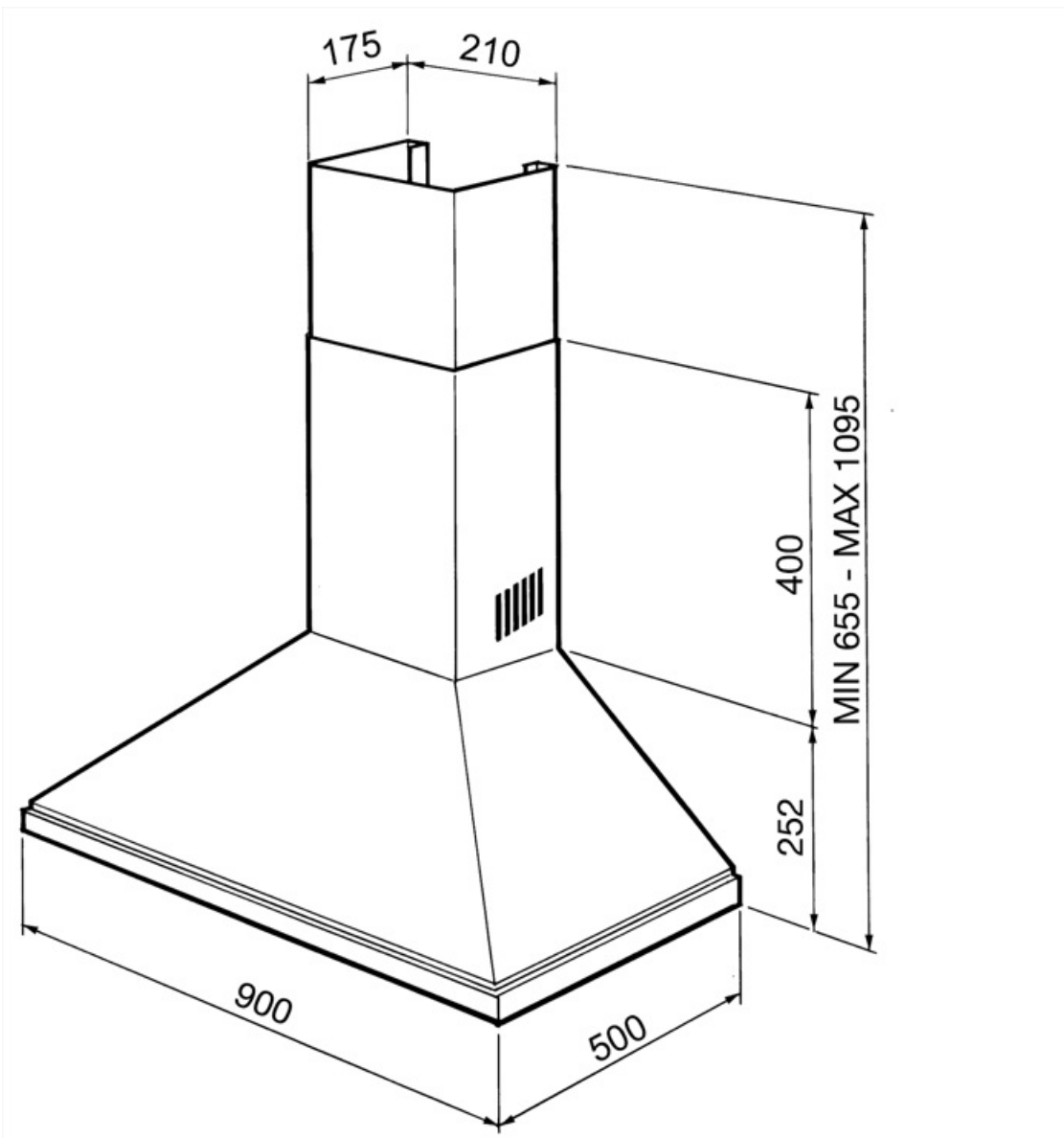
Electrical Connection

Nominal power	256 W	Frequency (Hz)	50 Hz
Voltage	220-240 V	Power supply cable length	1500 mm

Optional accessories

Charcoal filter

FLT2



Symbols glossary



Filters: Model has filters to help remove grease from the steam emanating from the pans during cooking.



Charcoal filters: Extracting through charcoal filters or directly to the exterior lessens strong cooking odours considerably.



Lights: All cooker hoods feature lights to illuminate the cooking area or add to the ambience of the kitchen.