

KSED95P9

Product family	Hood
Hood Type	Decorative wall hood
Design	Chimney
Extraction	Extraction
Material	Painted material
EAN code	8017709161101
Hood width	
Aesthetic	Universale
Colour	Cream
Serigraphy colour	Black
Logo	Embossed



Controls

Control setting	Slider
-----------------	--------

Programs / Functions

No. of speeds	3
---------------	---

Technical Features



No. of lights	2	Anti-grease filters	Aluminium
Light type	Halogen	Charcoal filters included	Yes
Light Power	28 W	Vent outlet	120 mm
Free outlet maximum capacity		Minimum distance from GAS hob	750 mm
Motor power	200 W	Minimum distance from ELECTRIC hob	650 mm
No. of filters	3		

	Extraction rate IEC 61591 [m ³ /h]	Noise level IEC 60704-2-13 [dBA]
Speed 1	285	50
Speed 2	370	60
Speed 3	535	72

Electrical Connection

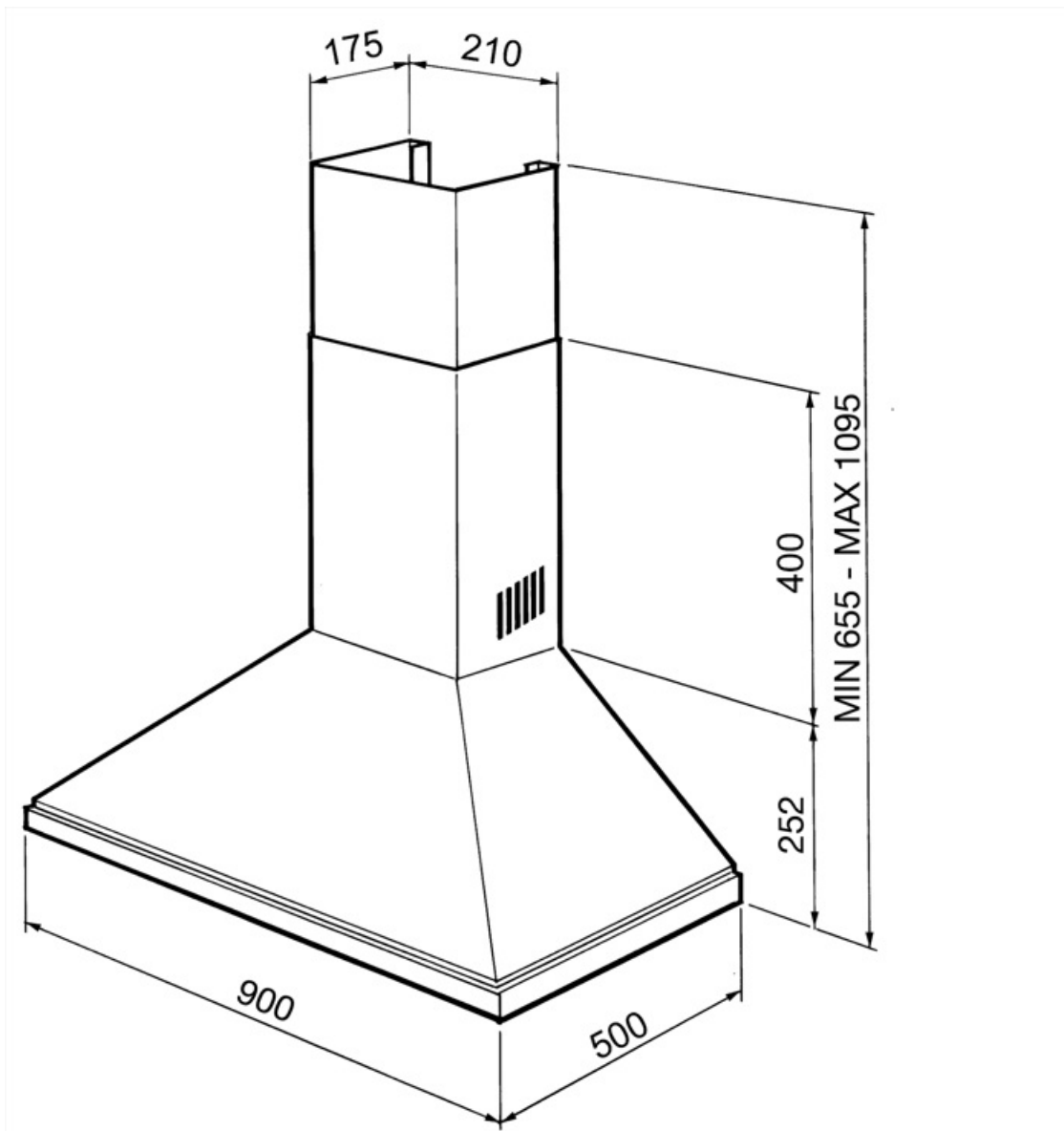
Electrical connection rating	256 W	Frequency (Hz)	50 Hz
Current		Power supply cable length	1500 mm
Voltage	220-240 V		

Also available

Alternative colours available

Optional accessories

Charcoal filter FLT2



Symbols glossary



Filters: Model has filters to help remove grease from the steam emanating from the pans during cooking.



Charcoal filters: Extracting through charcoal filters or directly to the exterior lessens strong cooking odours considerably.



Lights: All cooker hoods feature lights to illuminate the cooking area or add to the ambience of the kitchen.