

KSEG24XU

Product family	Hood
Hood Type	Integrated hood
Design	Fully integrated
EAN code	8017709296834
Hood width	24 "
Aesthetic	Universale
Colour	Silver
Serigraphy colour	Black
Logo	Silk screen



Controls

Control setting	Slider
-----------------	--------

Program / Functions

No. of speeds	3
Other options	Recirculating KIT accessory

Technical Features

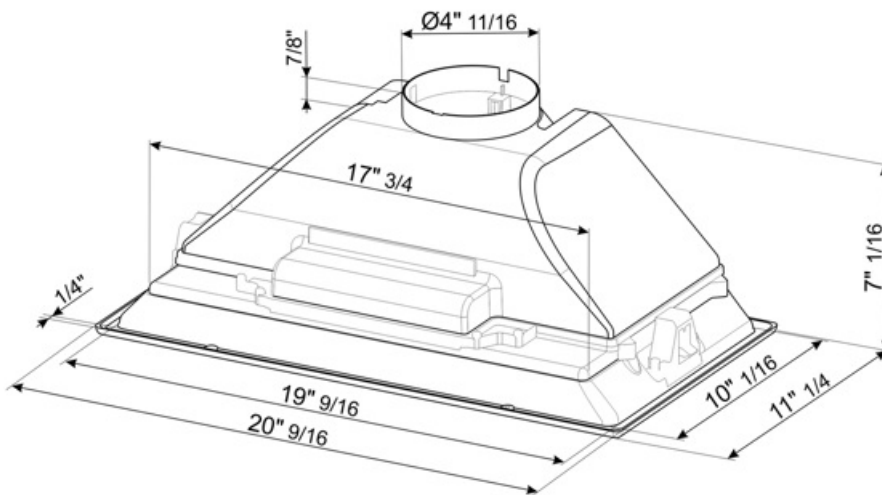
			
No. of lights	2	No. of filters	1
Light type	LED	Anti-grease filters	Aluminium
Light Power	5 W	Vent outlet	4 3/4 "
Light color temperature scale (K)	3000 K	Minimum distance from GAS hob	750 "
Free outlet maximum capacity	200 CFM	Minimum distance from ELECTRIC hob	600 "
Motor power	110 W	Non return valve	Yes

	Extraction rate IEC 61591 [CFM]	Noise level IEC 60704-2-13 [dBA]
Speed 1	90	55
Speed 2	150	64

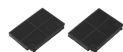
Speed 3	200	71
------------	-----	----

Electrical Connection

Voltage	110-127 V	Power supply cable length	1000 "
Frequency (Hz)	60 Hz	Plug	(A) USA e Messico



Compatible Accessories



KITFC142

Charcoal filters SQUARE Kit 2 pieces

Symbols glossary



Filters: Model has filters to help remove grease from the steam emanating from the pans during cooking.



Lights: All cooker hoods feature lights to illuminate the cooking area or add to the ambience of the kitchen.