

KSEG30XU

Product family	Hood
Hood Type	Insert hood
Design	Fully-integrated
EAN code	8017709296841
Hood width	30 "



Aesthetic

Aesthetics	Universal	Silkscreen color	Black
Color	Silver	Logo	Silkscreened



Controls

Control setting	Slider
-----------------	--------

Programs / Functions

Speed levels	3
Other options	Recirculating KIT accessory

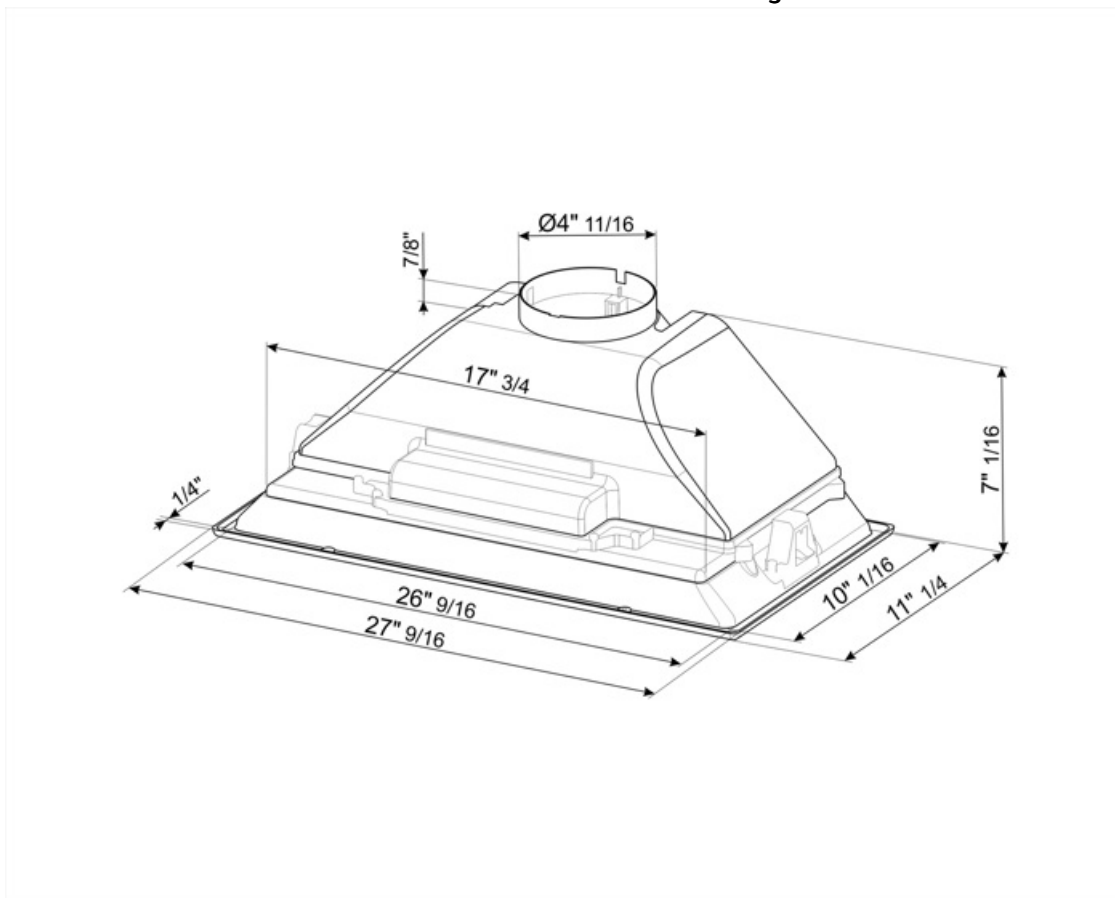
Technical Features

			
No. of lights	2	No. of filters	2
Lighting	LED	Anti-grease filters	Aluminum
Light power	5 W	Vent outlet	4 3/4 "
Light color temperature scale (°K)	3000 °K	Minimum distance from gas cooktop	750 "
Maximum extraction capacity at free mode	200 CFM	Minimum distance from electric cooktop	600 "
Motor power	110 W	Non-return valve	Yes

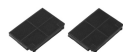
	Extraction rate [CFM]	Noise level [dBA]
Speed level 1	90	55
Speed 2	150	64
Speed 3	200	71

Electrical Connection

Plug	(A) USA & Mexico	Frequency (Hz)	60 Hz
Voltage	110-127 V	Power supply cable length	1000 "



Not included accessories



KITFC142

Charcoal filters SQUARE Kit 2 pieces

Symbols glossary (TT)



Filters: Model has filters to help remove grease from the steam emanating from the pans during cooking.



Lights: All cooker hoods feature lights to illuminate the cooking area or add to the ambience of the kitchen.