

KSEG5XSA

Product family	Hood
Hood Type	Integrated hood
Design	Fully integrated
Extraction	Extraction
Electronic control	Yes
Material	Stainless steel
Type of steel	Brushed
EAN code	8017709271343
Hood width	52 cm



Aesthetics

Aesthetic	Universale	Serigraphy colour	Black
Colour	Stainless steel	Logo	Silk screen
Finishing	Satin		

Controls

Control setting	Buttons	Led color	Red
-----------------	---------	-----------	-----

Technical Features

			
No. of lights	2	No. of filters	1
Light type	LED	Anti-grease filters	Aluminium
Light Power	5 W	Vent outlet	150 mm
Light color temperature scale (°K)	3000 °K	Minimum distance from GAS hob	650 mm
Free outlet maximum capacity	691 m ³ /h	Minimum distance from ELECTRIC hob	500 mm
Motor power	275 W	Non return valve	Yes

	Extraction rate IEC 61591 [m ³ /h]	Noise level IEC 60704-2-13 [dBA]
Speed 1	288	54
Speed 2	428	62

Speed 3	559	70
Intensive speed	691	74

Performance / Energy Label



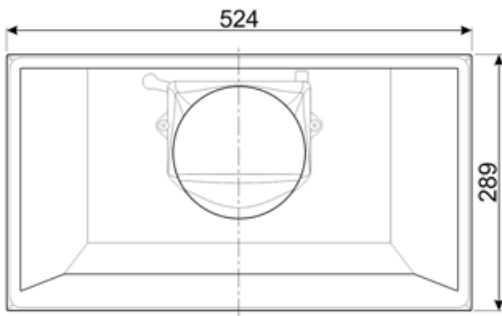
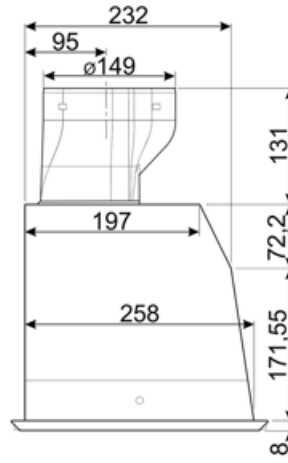
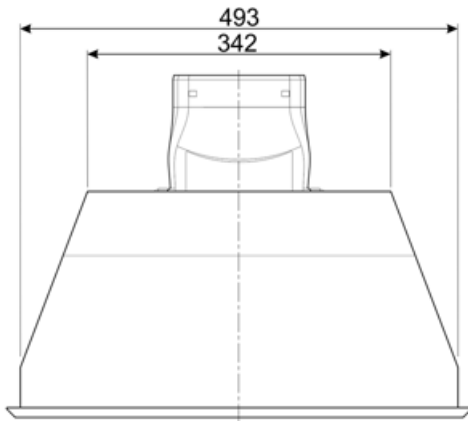
Annual Efficiency Consumption (AEChood)	109 kWh/a	Airbourne acoustical A-weighted sound Power Emission at minimum speed (SPEmin)	54 dBA
Energy efficiency class (EEC)	C	Airborne acoustical A-weighted sound Power Emission at maximum speed (SPEmax)	70 dBA
Fluid Dynamic Efficiency (FDE)	19,4	Airbourne acoustical A-weighted sound power emission at boost speed (SPEboost)	74 dBA
Fluid Dynamic Efficiency class (FDEC)	C	Power consumption in stand-by mode (Ps)	0,49 W
Lighting Efficiency (LE)	76,1 lux/W	Time increase factor (F)	1,3
Lighting Efficiency Class (LEC)	A	Measured air flow rate at best efficiency point (Qbep)	448 m ³ /h
Grease Filtering Efficiency (GFE)	76 %	Measured air pressure at best efficiency point (Pbep)	334 Pa
Grease Filtering Efficiency Class (GFEC)	C	Measured electric power input at best efficiency point (Wbep)	215 W
Air flow at mininum speed (Qmin)	288 m ³ /h	Nominal Power consumption of the light system (WL)	10 W
Air flow at maximum speed (Qmax)	559 m ³ /h	Average illumination of the light on the cooking surface (Emiddle)	761 lux
Air flow at boost speed (Qboost)	691 m ³ /h	Sound power level at highest setting (Lwa)	70 dBA

Electrical Connection

Plug	Not present	Frequency (Hz)	50-60 Hz
Electrical connection rating	285 W	Power supply cable length	1000 mm
Voltage	220-240 V		

Optional accessories

Charcoal filter	KITFC220
-----------------	----------



Not included accessories

KITFC220

Charcoal filters Kit 2 pieces



Symbols glossary (TT)



Filters: Model has filters to help remove grease from the steam emanating from the pans during cooking.



Lights: All cooker hoods feature lights to illuminate the cooking area or add to the ambience of the kitchen.



Intensive/turbo setting: when extra fast extraction is required.

