

# KSEG5XSA


Product family	Hood
Tipo de Exaustor	Integrated hood
Design	Fully integrated
Extraction	Extraction
Electronic control	Yes
Perimeter extraction	No
Material	Stainless steel
Type of steel	Brushed
EAN code	8017709271343
Aesthetic	Universal
Colour	Stainless steel
Acabamento	Satin
Cor da serigrafia	Serigrafia em preto
Logotipo	Logotipo serigrafado




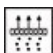
## Controls

Control setting	Buttons	Led color	Red
-----------------	---------	-----------	-----

## Program / Functions

No. of speeds	3
Intensive speed	
24h air filter function	No
Other functions	No
Time-setting options	No
Other options	No
Ventilação automática	No

## Technical Features

		<b>Hood without motor</b>	No	<b>No. of filters</b>	1
		<b>Remote motor</b>	No	<b>Anti-grease filters</b>	Aluminium
		<b>No. of lights</b>	2	<b>Charcoal filters included</b>	No
		<b>Light type</b>	LED	<b>Filter replacement indicator</b>	No
		<b>Light Power</b>	5 W	<b>Vent outlet</b>	150 mm
		<b>Dimmer mode</b>	No	<b>Minimum distance from GAS hob</b>	650 mm
		<b>Escala de temperatura de cor clara (°K)</b>	3000 °K	<b>Minimum distance from ELECTRIC hob</b>	500 mm
		<b>Free outlet maximum capacity</b>	691 m <sup>3</sup> /h		
		<b>Motor power</b>	275 W		

Non return valve

Yes

	Extraction rate IEC 61591 [m <sup>3</sup> /h]	Noise level IEC 60704-2-13 [dBA]
Speed 1	288	54
Speed 2	428	62
Speed 3	559	70
Intensive speed	691	74

## Accessories Included

Remote control

No

Tube reduction

No

Sliding door

No

## Performance / Energy Label



Consumo anual de energía (CAE exaustor) 109 kWh/a

Energy efficiency class (EEC) C

Fluid Dynamic Efficiency (FDE) 19,4

Fluid Dynamic Efficiency class (FDEC) C

Lighting Efficiency (LE) 76,1 lux/W

Lighting Efficiency Class (LEC) A

Grease Filtering Efficiency (GFE) 76 %

Grease Filtering Efficiency Class (GFEC) C

Air flow at minimum speed (Qmin) 288 m<sup>3</sup>/h

Air flow at maximum speed (Qmax) 559 m<sup>3</sup>/h

Air flow at boost speed (Qboost) 691 m<sup>3</sup>/h

Airbourne acoustical A-weighted sound Power Emission at minimum speed (SPEmin) 54 dBA

Airborne acoustical A-weighted sound Power Emission at maximum speed (SPEmax) 70 dBA

Airbourne acoustical A-weighted sound power emission at boost speed (SPEboost) 74 dBA

Power consumption in stand-by mode (Ps) 0,49 W

Time increase factor (F) 1,3

Measured air flow rate at best efficiency point (Qbep) 448 m<sup>3</sup>/h

Measured air pressure at best efficiency point (Pbep) 334 Pa

Measured electric power input at best efficiency point (Wbep) 215 W

Nominal Power consumption of the light system (WL) 10 W

Average illumination of the light on the cooking surface (Emiddle) 761 lux

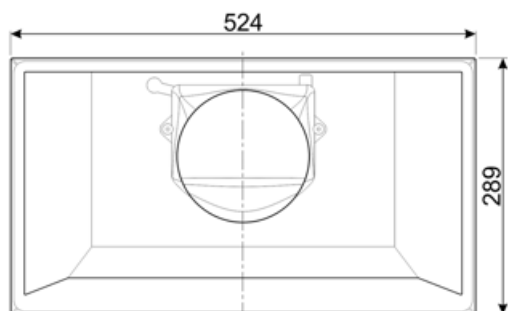
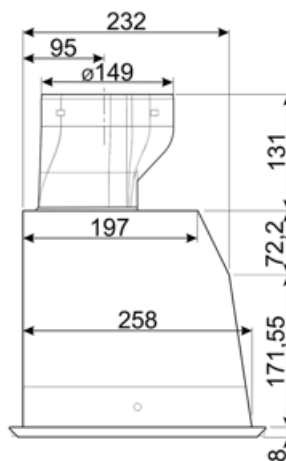
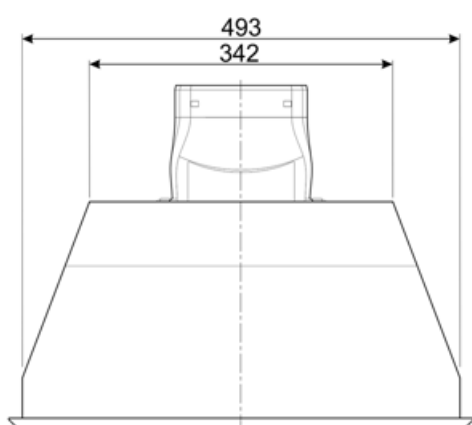
Sound power level at highest setting (Lwa) 70 dBA

## Electrical Connection

Plug	No	Frequency (Hz)	50-60 Hz
Electrical connection rating	285 W	Comprimento do cabo de alimentação	1000 mm
Voltage	220-240 V		

## Optional accessories

Charcoal filter	KITFC220	Non return valve	No
Remote control	No	Kit with aesthetic components	No
Chimney extension	No	Diffuser kit	No
Vent outlet	No		



---

## Compatible Accessories

---

KITFC220

Kit de filtros de carvão 2 peças



---

## Symbols glossary

---



**Filtros:** O modelo tem filtros para ajudar a remover a graxa do vapor que emana das panelas durante o cozimento.



**Luzes:** Todos os exaustores possuem luzes para iluminar a área de cozinhar ou adicionar ao ambiente da cozinha.



**Configuração intensiva/turbo:** quando a extração extra rápida é necessária.