

KSEG73XE

Product family	Hood
Hood Type	Canopy Cooker Hoods
Design	Fully integrated
Extraction	Ducted out or re-circulation possible
Material	Stainless steel
Type of steel	Brushed
EAN code	8017709208691
Hood width	70 cm



Aesthetics

Aesthetics	Universal	Serigraphy colour	Black
Colour	Stainless steel	Logo	Silk screen
Finishing	Brushed		

Controls

Control setting	Buttons
-----------------	---------

Technical Features

			
No. of lights	2	No. of filters	2
Light type	LED	Anti-grease filters	Aluminium
Light power	2 W	Vent outlet	150 mm
Free outlet maximum capacity	430 m ³ /h	Minimum distance from GAS hob	650 mm
Motor power	140 W	Minimum distance from ELECTRIC hob	650 mm

	Extraction rate IEC 61591 [m ³ /h]	Noise level IEC 60704-2-13 [dBA]
Speed 1	235	57
Speed 2	330	66

Speed 3	400	70
------------	-----	----

Accessories Included

Tube reduction Yes

Performance / Energy Label



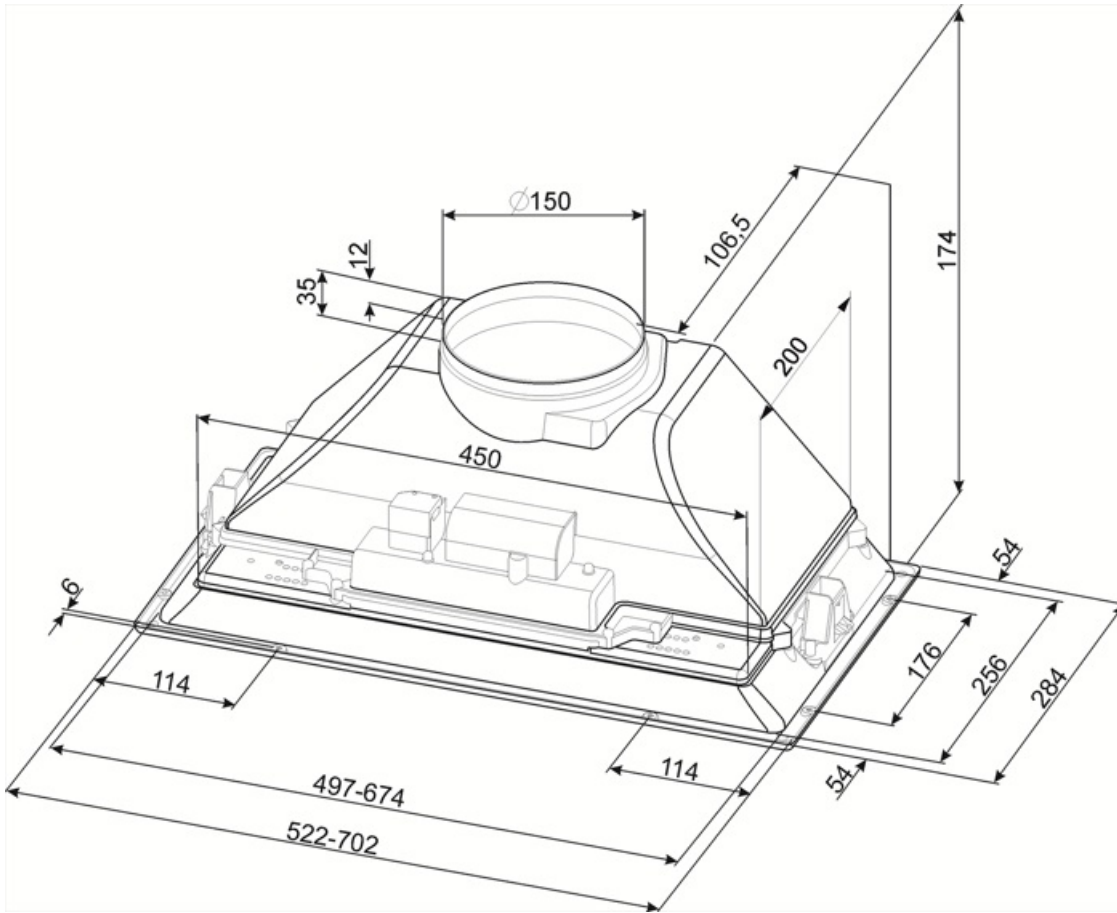
Annual Efficiency Consumption (AEChood)	90 KWh/year	Airbourne acoustical A-weighted sound Power Emission at minimum speed (SPEmin)	57 dBA
Energy efficiency class (EEC)	D	Airborne acoustical A-weighted sound Power Emission at maximum speed (SPEmax)	70 dBA
Fluid Dynamic Efficiency (FDE)	7,6	Time increase factor (F)	1,7
Fluid Dynamic Efficiency class (FDEC)	F	Measured air flow rate at best efficiency point (Qbep)	218 m ³ /h
Lighting Efficiency (LE)	64 lux/W	Measured air pressure at best efficiency point (Qbep)	174 Pa
Lighting Efficiency Class (LEC)	A	Measured electric power input at best efficiency point (Wbep)	139 W
Grease Filtering Efficiency (GFE)	75 %	Normal Power of the light system (WI)	4 W
Grease Filtering Efficiency Class (GFEC)	C	Average illumination of the light on the cooking surface (Emiddle)	280 lux
Air flow at minumum speed (Qmin)	235 m ³ /h	Sound power level at highest setting (Lwa)	70 dBA
Maximum extraction rate	400 m ³ /h		

Electrical Connection

Nominal power	144 W	Frequency (Hz)	50-60 Hz
Voltage	220-240 V	Power supply cable length	1000 mm

Optional accessories

Charcoal filter KITFC155



Symbols glossary



Filters: Model has filters to help remove grease from the steam emanating from the pans during cooking.



Lights: All cooker hoods feature lights to illuminate the cooking area or add to the ambience of the kitchen.

