

# KSEGU24X

Product family	Hood
Hood Type	Insert hood
Design	Fully-integrated
Material	Painted material
EAN code	8017709210892
Hood width	24 "



## Aesthetic

Aesthetics	Universal	Silkscreen color	Black
Color	Silver	Logo	Silkscreened

## Controls

Control setting	Slider
-----------------	--------

## Technical Features

		<b>No. of lights</b>	2	<b>Anti-grease filters</b>	Aluminum
		<b>Lighting</b>	Halogen	<b>Vent outlet</b>	4 3/4 "
		<b>Light power</b>	40 W	<b>Minimum distance from gas cooktop</b>	750 "
		<b>Maximum extraction capacity at free mode</b>	235.5 CFM	<b>Minimum distance from electric cooktop</b>	600 "
		<b>Motor power</b>	110 W	<b>Non-return valve</b>	Yes
		<b>No. of filters</b>	2		

	Extraction rate [CFM]	Noise level [dBA]
Speed level 1	88.5	59
Speed 2	141.5	65
Speed 3	200	71

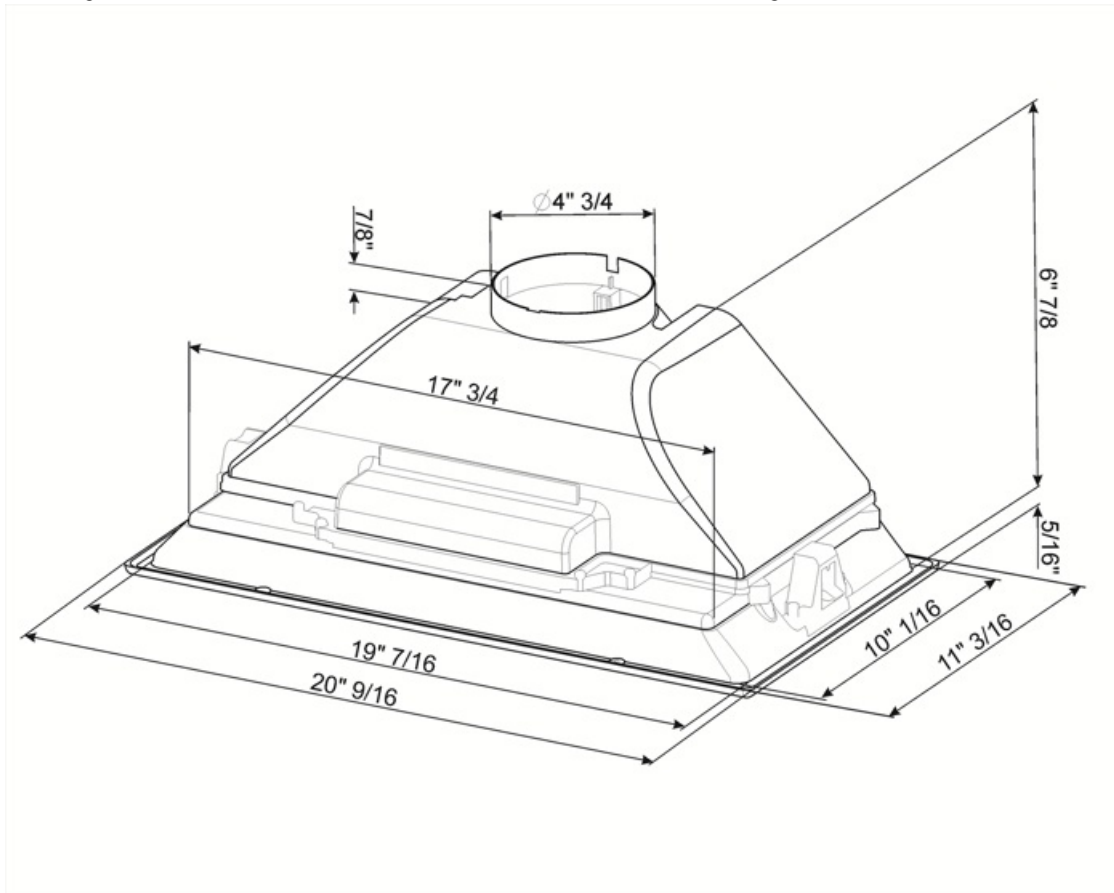
## Electrical Connection

Electrical connection rating  
Voltage

190 W  
120 V

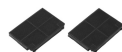
Frequency (Hz)  
Power supply cable length

60 Hz  
1000 "



## Not included accessories

---



KITFC142

Charcoal filters SQUARE Kit 2 pieces

## Symbols glossary (TT)

---



**Filters:** Model has filters to help remove grease from the steam emanating from the pans during cooking.



**Lights:** All cooker hoods feature lights to illuminate the cooking area or add to the ambience of the kitchen.