

# KSEI62E

|                |                  |
|----------------|------------------|
| Product family | Hood             |
| Hood Type      | Integrated hood  |
| Design         | Fully integrated |
| Extraction     | Extraction       |
| Material       | Painted material |
| EAN code       | 8017709203405    |
| Hood width     | 60 cm            |





## Aesthetics

|                  |                   |                        |                   |
|------------------|-------------------|------------------------|-------------------|
| Aesthetic Colour | Universale Silver | Serigraphy colour Logo | Black Silk screen |
|------------------|-------------------|------------------------|-------------------|

## Controls

|                 |        |
|-----------------|--------|
| Control setting | Slider |
|-----------------|--------|

## Technical Features

|  |   |                                    |                   |
|--|---|------------------------------------|-------------------|
|  |  |                                    |                   |
| No. of lights  | 2   | No. of filters                     | 1                 |
| Light type   | LED   | Anti-grease filters                | Integrated filter |
| Light Power  | 4 W   | Vent outlet                        | 120 mm            |
| Free outlet maximum capacity   | 285 m <sup>3</sup> /h   | Minimum distance from GAS hob      | 650 mm            |
| Motor power  | 138 W   | Minimum distance from ELECTRIC hob | 650 mm            |

|         | Extraction rate IEC 61591 [m <sup>3</sup> /h] | Noise level IEC 60704-2-13 [dBA] |
|---------|---|----------------------------------|
| Speed 1 | 160   | 56                               |
| Speed 2 | 220   | 63                               |

|            |     |    |
|------------|-----|----|
| Speed<br>3 | 275 | 67 |
|------------|-----|----|

## Accessories Included

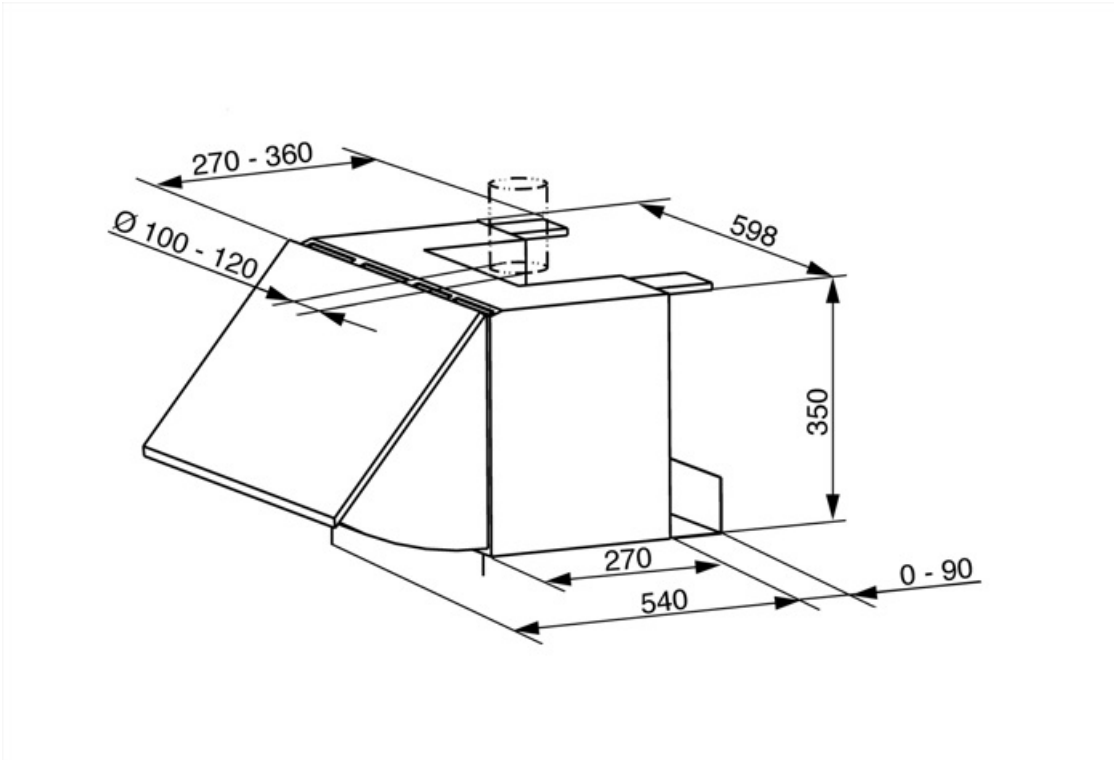
Tube reduction Yes

## Performance / Energy Label

|  |                       |   |                       |
|--|-----------------------|---|-----------------------|
| Annual Efficiency Consumption (AEC <sub>hood</sub> ) | 97 kWh/a              | Airbourne acoustical A-weighted sound Power Emission at minimum speed (SPE <sub>min</sub> ) | 56 dBA                |
| Energy efficiency class (EEC)                        | E                     | Airborne acoustical A-weighted sound Power Emission at maximum speed (SPE <sub>max</sub> )  | 67 dBA                |
| Fluid Dynamic Efficiency (FDE)                       | 6.5                   | Time increase factor (F)  | 1.8                   |
| Fluid Dynamic Efficiency class (FDEC)                | F                     | Energy Efficiency Index   | 100.9                 |
| Lighting Efficiency (LE)                             | 9 lux/W               | Measured air flow rate at best efficiency point (Q <sub>bep</sub> )                         | 169 m <sup>3</sup> /h |
| Lighting Efficiency Class (LEC)                      | E                     | Measured air pressure at best efficiency point (P <sub>bep</sub> )                          | 191 Pa                |
| Grease Filtering Efficiency (GFE)                    | 40 %                  | Measured electric power input at best efficiency point (W <sub>bep</sub> )                  | 138 W                 |
| Grease Filtering Efficiency Class (GFEC)             | G                     | Nominal Power consumption of the light system (WL)  | 8 W                   |
| Air flow at mininum speed (Q <sub>min</sub> )        | 160 m <sup>3</sup> /h | Average illumination of the light on the cooking surface (E <sub>middle</sub> )             | 70 lux                |
| Air flow at maximum speed (Q <sub>max</sub> )        | 275 m <sup>3</sup> /h | Sound power level at highest setting (L <sub>wa</sub> )                                     | 67 dBA                |

## Electrical Connection

|                              |             |                           |         |
|------------------------------|-------------|---------------------------|---------|
| Plug                         | Not present | Frequency (Hz)            | 50 Hz   |
| Electrical connection rating | 146 W       | Power supply cable length | 1500 mm |
| Voltage                      | 220-240 V   |                           |         |



## Not included accessories

---

**KITFC31**

Charcoal filters round Kit 1 piece



## Symbols glossary (TT)

---



**Filters:** Model has filters to help remove grease from the steam emanating from the pans during cooking.



**Lights:** All cooker hoods feature lights to illuminate the cooking area or add to the ambience of the kitchen.