

KSEIR92NE2

Product family	Hood
Hood Type	Integrated (semi) hood
Design	Fully integrated
Extraction	Extraction
Material	Painted material
EAN code	8017709275075
Hood width	90 cm
Aesthetic	Universale
Colour	Black
Serigraphy colour	Silver
Logo	Silk screen



Controls

Control setting	Slider
-----------------	--------

Program / Functions

No. of speeds	3
---------------	---

Technical Features



No. of lights	2	No. of filters	1
Light type	LED	Anti-grease filters	Integrated filter
Light Power	4 W	Vent outlet	120 mm
Free outlet maximum capacity	235 m ³ /h	Minimum distance from GAS hob	650 mm
Motor power	115 W	Minimum distance from ELECTRIC hob	500 mm

	Extraction rate IEC 61591 [m ³ /h]	Noise level IEC 60704-2-13 [dBA]
Speed 1	115	52
Speed 2	160	59
Speed 3	235	68

Performance / Energy Label



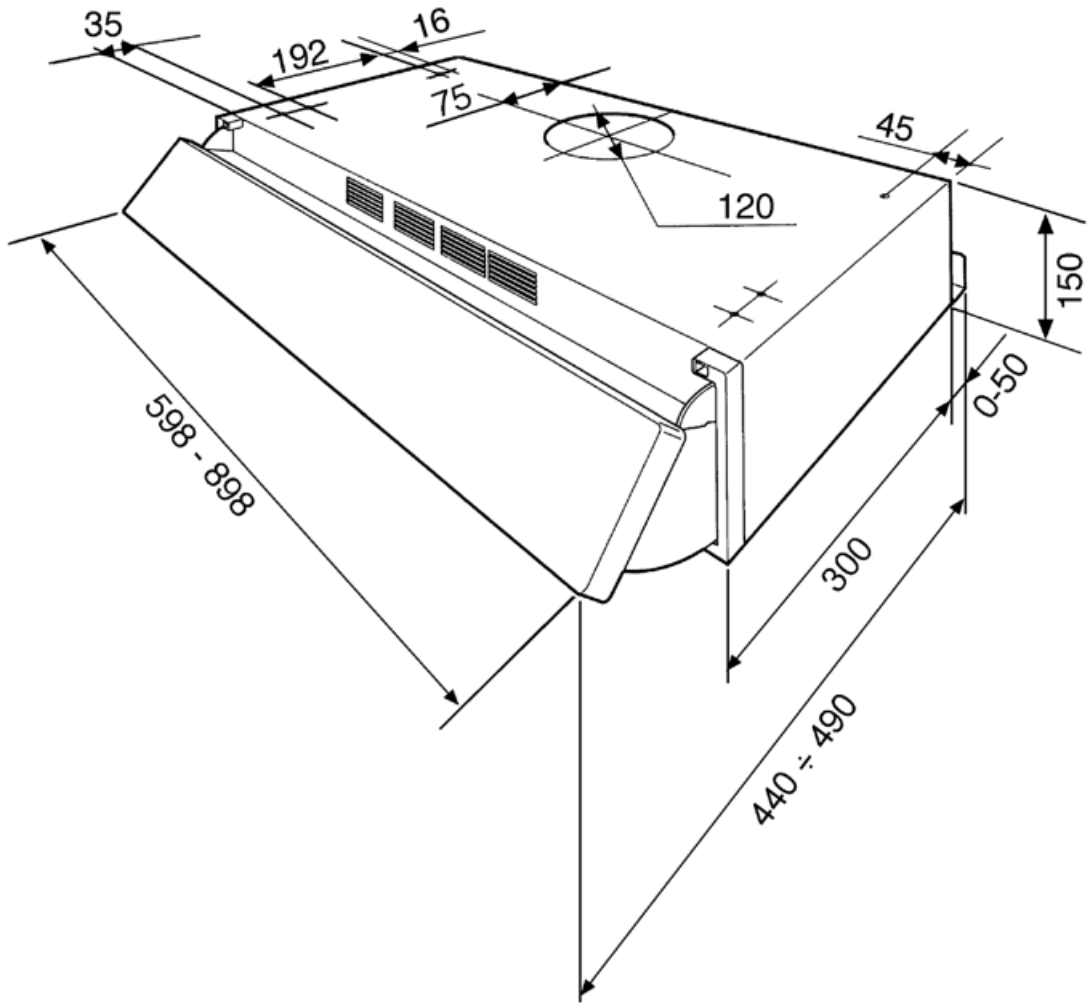
Annual Efficiency Consumption (AEC_{hood})	71 kWh/a	Airbourne acoustical A-weighted sound Power Emission at minimum speed (SPE_{min})	52 dBA
Energy efficiency class (EEC)	D	Airborne acoustical A-weighted sound Power Emission at maximum speed (SPE_{max})	68 dBA
Fluid Dynamic Efficiency (FDE)	8,1	Time increase factor (F)	1,7
Fluid Dynamic Efficiency class (FDEC)	E	Energy Efficiency Index	91,6
Lighting Efficiency (LE)	9 lux/W	Measured air flow rate at best efficiency point (Q_{bep})	125 m ³ /h
Lighting Efficiency Class (LEC)	E	Measured air pressure at best efficiency point (P_{bep})	244 Pa
Grease Filtering Efficiency (GFE)	40 %	Measured electric power input at best efficiency point (W_{bep})	105 W
Grease Filtering Efficiency Class (GFEC)	G	Nominal Power consumption of the light system (WL)	8 W
Air flow at minumum speed (Q_{min})	115 m ³ /h	Average illumination of the light on the cooking surface (E_{middle})	70 lux
Air flow at maximum speed (Q_{max})	225 m ³ /h	Sound power level at highest setting (L_{wa})	68 dBA

Electrical Connection

Electrical connection rating	123 W	Power supply cable length	1000 mm
Voltage	220-240 V	Plug	Not present
Frequency (Hz)	50 Hz		

Also available

Alternative colours available	Grey	Available colours	KSEIR92SE2
--------------------------------------	------	--------------------------	------------



Compatible Accessories

KITFC31

Charcoal filters round Kit 1 piece



Symbols glossary



Filters: Model has filters to help remove grease from the steam emanating from the pans during cooking.



Lights: All cooker hoods feature lights to illuminate the cooking area or add to the ambience of the kitchen.