

# KSET56LXE2

Product family	Hood
Hood Type	Telescopic Cooker Hoods
Design	Visible front panel
Extraction	Ducted out or re-circulation possible
Material	Stainless steel
Type of steel	Brushed
EAN code	8017709279486
Hood width	56 cm



## Aesthetics

Aesthetics	Universal	Glass Type	Clear
Colour	Stainless steel	Serigraphy colour	Black
Finishing	Brushed	Logo	Silk screen



## Controls

Control setting	Slider
-----------------	--------

## Programs / Functions

No. of speeds	3
---------------	---

## Technical Features

			
No. of lights	2	No. of filters	1
Light type	LED	Anti-grease filters	Aluminium
Light power	2.5 W	Vent outlet	120 mm
Light colour	3500 °K	Minimum distance from GAS hob	650 mm
Free outlet maximum capacity	265 m <sup>3</sup> /h	Minimum distance from ELECTRIC hob	500 mm
Motor power	115 W	Non return valve	Yes

	Extraction rate IEC 61591 [m <sup>3</sup> /h]	Noise level IEC 60704-2-13 [dB(A)]
Speed 1	100	48
Speed 2	135	52
Speed 3	255	66

## Accessories Included

Tube reduction Yes

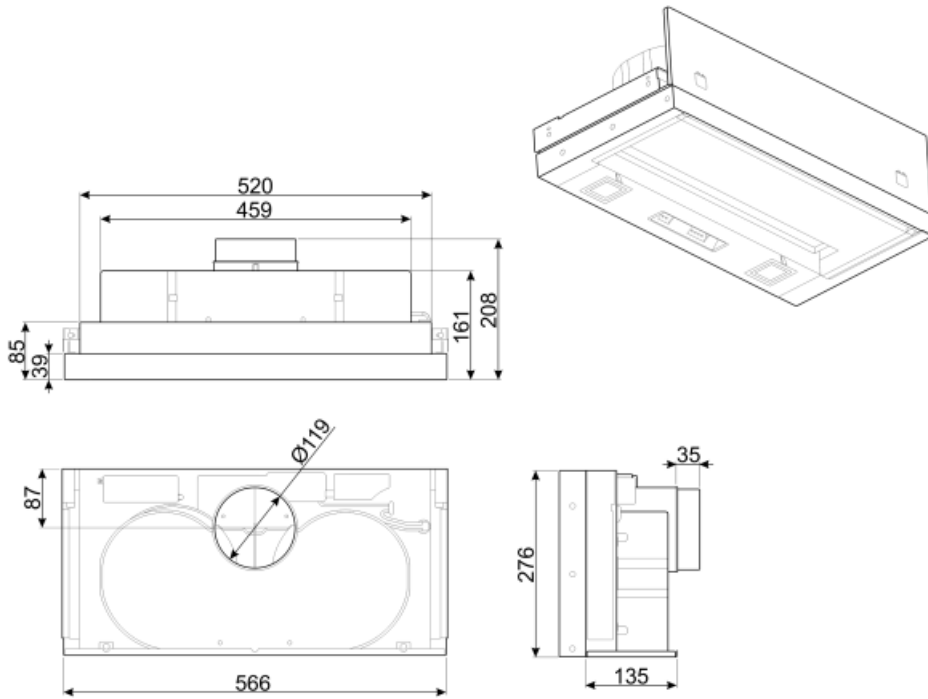
## Performance / Energy Label



Annual Efficiency Consumption (AEChood)	68 kWh/year	Airbourne acoustical A-weighted sound Power Emission at minimum speed (SPEmin)	48 dB(A)
Energy efficiency class (EEC)	D	Airborne acoustical A-weighted sound Power Emission at maximum speed (SPEmax)	66 dB(A)
Fluid Dynamic Efficiency (FDE)	8,7	Time increase factor (F)	1,7
Fluid Dynamic Efficiency class (FDEC)	E	Energy Efficiency Index per first cavity	90,6
Lighting Efficiency (LE)	28,1 lux/W	Measured air flow rate at best efficiency point (Qbep)	155 m <sup>3</sup> /h
Lighting Efficiency Class (LEC)	A	Measured air pressure at best efficiency point (Qbep)	210 Pa
Grease Filtering Efficiency (GFE)	66 %	Measured electric power input at best efficiency point (Wbep)	104 W
Grease Filtering Efficiency Class (GFEC)	D	Normal Power of the light system (WI)	5 W
Air flow at minumum speed (Qmin)	100 m <sup>3</sup> /h	Average illumination of the light on the cooking surface (Emiddle)	141 lux
Maximum extraction rate	255 m <sup>3</sup> /h	Sound power level at highest setting (Lwa)	66 dB(A)

## Electrical Connection

Nominal power	120 W	Frequency (Hz)	50-60 Hz
Voltage	220-240 V	Power supply cable length	1500 mm



## Not included accessories

---



**KITFC300**

Charcoal filter Kit 2 pieces dimension 208x170 mm

---

## Symbols glossary

---



Filters: Model has filters to help remove grease from the steam emanating from the pans during cooking.



Lights: All cooker hoods feature lights to illuminate the cooking area or add to the ambience of the kitchen.