

KSET56LXE2

Product family	Hood
Hood Type	Integrated (semi) hood
Design	Visible front panel
Extraction	Extraction
Material	Stainless steel
Type of steel	Brushed
EAN code	8017709279486
Hood width	56 cm



Aesthetics

Aesthetic	Universale	Glass Type	Clear
Colour	Stainless steel	Serigraphy colour	Black
Finishing	Satin	Logo	Silk screen



Controls

Control setting	Slider
-----------------	--------

Programme / Functions

No. of speeds	3
---------------	---

Technical Features

			
No. of lights	2	No. of filters	1
Light type	LED	Anti-grease filters	Aluminium
Light Power	2.5 W	Vent outlet	120 mm
Light color temperature scale (°K)	3500 °K	Minimum distance from GAS hob	650 mm
Free outlet maximum capacity	265 m ³ /h	Minimum distance from ELECTRIC hob	500 mm
Motor power	115 W	Non return valve	Yes

	Extraction rate IEC 61591 [m³/h]	Noise level IEC 60704-2-13 [dBA]
Speed 1	100	48
Speed 2	135	52
Speed 3	255	66

Accessories Included

Tube reduction Yes

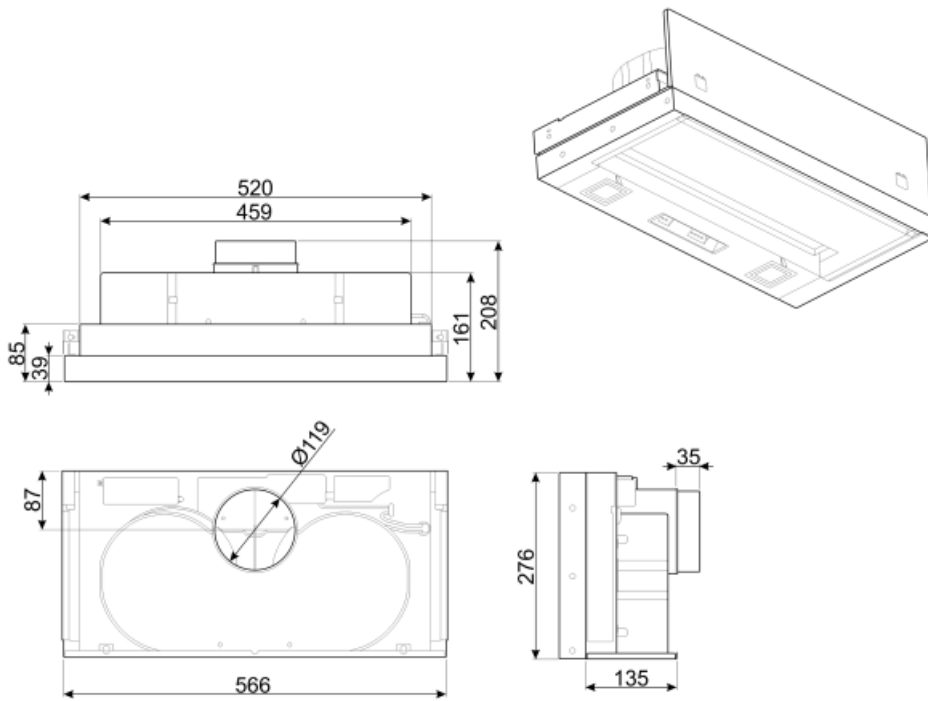
Performance / Energy Label



Annual Efficiency Consumption (AEChood)	68 kWh/a	Airbourne acoustical A-weighted sound Power Emission at minimum speed (SPEmin)	48 dBA
Energy efficiency class (EEC)	D	Airborne acoustical A-weighted sound Power Emission at maximum speed (SPEmax)	66 dBA
Fluid Dynamic Efficiency (FDE)	8,7	Time increase factor (F)	1,7
Fluid Dynamic Efficiency class (FDEC)	E	Energy Efficiency Index	90,6
Lighting Efficiency (LE)	28,1 lux/W	Measured air flow rate at best efficiency point (Qbep)	155 m³/h
Lighting Efficiency Class (LEC)	A	Measured air pressure at best efficiency point (Pbep)	210 Pa
Grease Filtering Efficiency (GFE)	66 %	Measured electric power input at best efficiency point (Wbep)	104 W
Grease Filtering Efficiency Class (GFEC)	D	Nominal Power consumption of the light system (WL)	5 W
Air flow at minumum speed (Qmin)	100 m³/h	Average illumination of the light on the cooking surface (Emiddle)	141 lux
Air flow at maximum speed (Qmax)	255 m³/h	Sound power level at highest setting (Lwa)	66 dBA

Electrical Connection

Plug	Not present	Frequency (Hz)	50-60 Hz
Electrical connection rating	120 W	Power supply cable length	1500 mm
Voltage	220-240 V		



Not included accessories



KITFC300

Charcoal filter Kit 1 piece dimension 208x170 mm

Symbols glossary (TT)



Filters: Model has filters to help remove grease from the steam emanating from the pans during cooking.



Lights: All cooker hoods feature lights to illuminate the cooking area or add to the ambience of the kitchen.

