

KSET600XE

| | |
|----------------|------------------------|
| Product family | Hood |
| Hood Type | Integrated (semi) hood |
| Design | Telescopic |
| Extraction | Extraction |
| Material | Stainless steel |
| Type of steel | Brushed |
| EAN code | 8017709205362 |
| Hood width | 60 cm |



Aesthetics

| | | | |
|-----------|-----------------|-------------------|-------------|
| Aesthetic | Universale | Serigraphy colour | Black |
| Colour | Stainless steel | Logo | Silk screen |
| Finishing | Satin | | |



Controls

| | |
|-----------------|--------|
| Control setting | Slider |
|-----------------|--------|

Programs / Functions main oven

| | |
|---------------|---|
| No. of speeds | 3 |
|---------------|---|

Technical Features

| | | | |
|--|---|------------------------------------|-----------|
|  |  | | |
| No. of lights | 2 | No. of filters | 2 |
| Light type | LED | Anti-grease filters | Aluminium |
| Light Power | 3 W | Vent outlet | 150 mm |
| Light color temperature scale (°K) | 3500 °K | Minimum distance from GAS hob | 650 mm |
| Free outlet maximum capacity | 603 m ³ /h | Minimum distance from ELECTRIC hob | 500 mm |
| Motor power | 175 W | Non return valve | Yes |

| | Extraction rate IEC 61591 [m³/h] | Noise level IEC 60704-2-13 [dBA] |
|---------|----------------------------------|----------------------------------|
| Speed 1 | 240 | 44 |
| Speed 2 | 368 | 54 |
| Speed 3 | 581 | 65 |

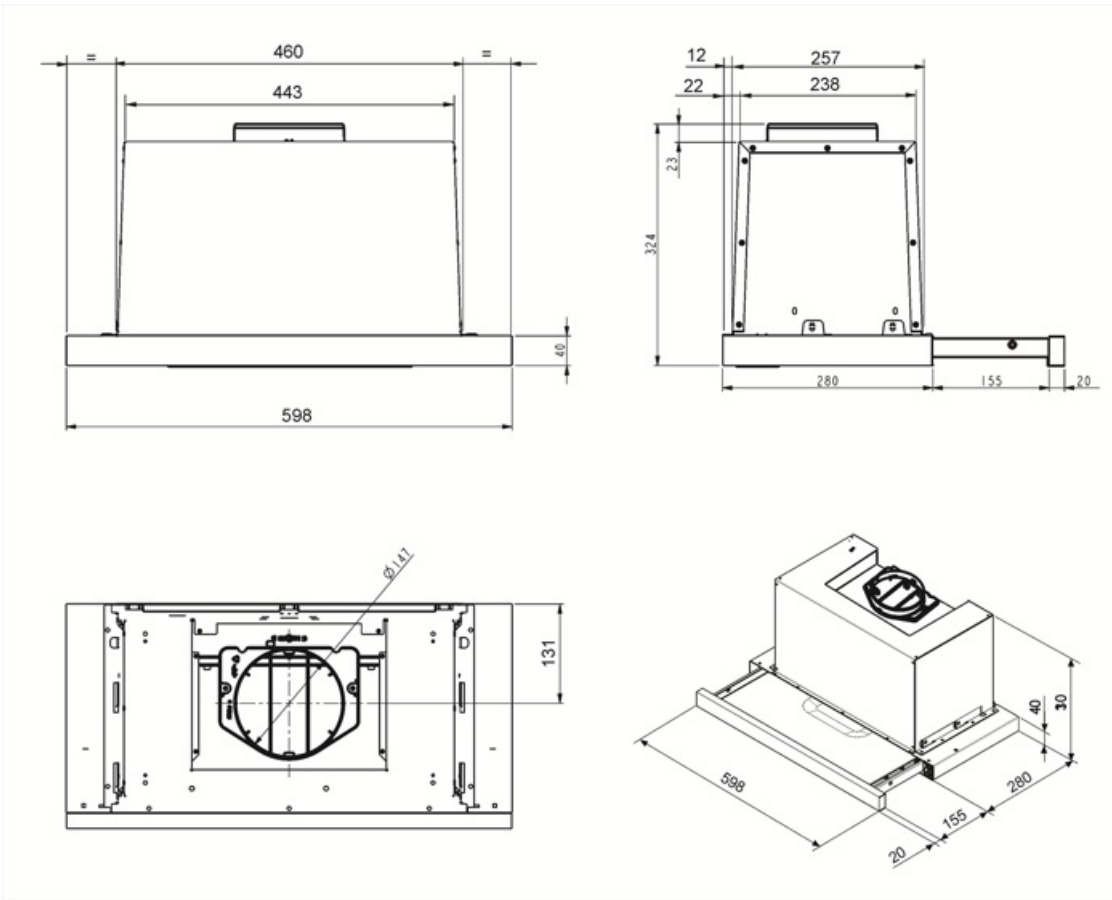
Performance / Energy Label



| | | | |
|--|------------|---|----------|
| Annual Efficiency Consumption (AEC _{hood}) | 75 kWh/a | Airbourne acoustical A-weighted sound Power Emission at minimum speed (SPE _{min}) | 44 dBA |
| Energy efficiency class (EEC) | B | Airborne acoustical A-weighted sound Power Emission at maximum speed (SPE _{max}) | 65 dBA |
| Fluid Dynamic Efficiency (FDE) | 21 | Time increase factor (F) | 1,2 |
| Fluid Dynamic Efficiency class (FDEC) | C | Energy Efficiency Index | 69,4 |
| Lighting Efficiency (LE) | 76,1 lux/W | Measured air flow rate at best efficiency point (Q _{bep}) | 352 m³/h |
| Lighting Efficiency Class (LEC) | A | Measured air pressure at best efficiency point (P _{bep}) | 354 Pa |
| Grease Filtering Efficiency (GFE) | 76 % | Measured electric power input at best efficiency point (W _{bep}) | 165 W |
| Grease Filtering Efficiency Class (GFEC) | C | Nominal Power consumption of the light system (WL) | 4 W |
| Air flow at minumum speed (Q _{min}) | 240 m³/h | Average illumination of the light on the cooking surface (E _{middle}) | 304 lux |
| Air flow at maximum speed (Q _{max}) | 581 m³/h | Sound power level at highest setting (L _{wa}) | 65 dBA |

Electrical Connection

| | | | |
|------------------------------|-------------|---------------------------|----------|
| Plug | Not present | Frequency (Hz) | 50-60 Hz |
| Electrical connection rating | 181 W | Power supply cable length | 1500 mm |
| Voltage | 220-240 V | | |



Not included accessories



KITFC500

Round Charcoal filters (kit 2 pieces)

Symbols glossary (TT)



Filters: Model has filters to help remove grease from the steam emanating from the pans during cooking.



Lights: All cooker hoods feature lights to illuminate the cooking area or add to the ambience of the kitchen.

