

KSET600XE

Product family	Hood
Hood Type	Integrated (semi) hood
Design	Telescopic
Extraction	Extraction
Material	Stainless steel
Type of steel	Brushed
EAN code	8017709205362
Hood width	60 cm



Aesthetics

Aesthetic Colour Finishing	Universale Stainless steel Satin	Serigraphy colour Logo	Black Silk screen
----------------------------	--	---------------------------	----------------------



Controls

Control setting	Slider
-----------------	--------

Programme / Functions

No. of speeds	3
---------------	---

Technical Features

			
No. of lights	2	No. of filters	2
Light type	LED	Anti-grease filters	Aluminium
Light Power	3 W	Vent outlet	150 mm
Light color temperature scale (°K)	3500 °K	Minimum distance from GAS hob	650 mm
Free outlet maximum capacity	603 m ³ /h	Minimum distance from ELECTRIC hob	500 mm
Motor power	175 W	Non return valve	Yes

	Extraction rate IEC 61591 [m³/h]	Noise level IEC 60704-2-13 [dBA]
Speed 1	240	44
Speed 2	368	54
Speed 3	581	65

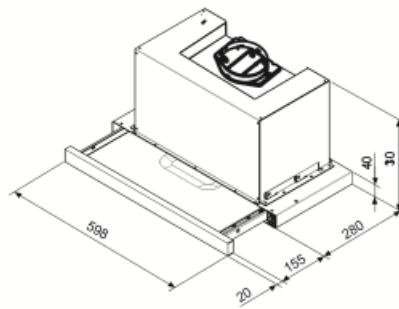
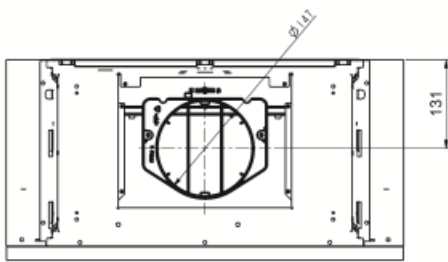
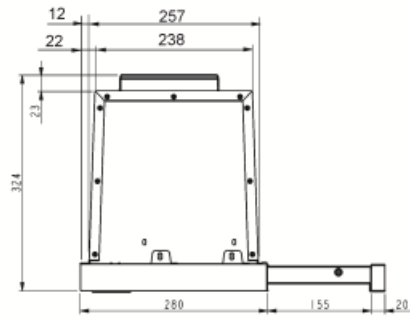
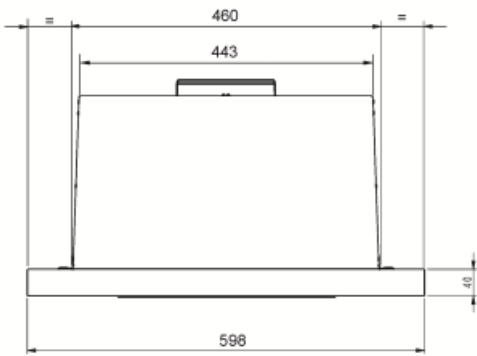
Performance / Energy Label



Annual Efficiency Consumption (AEC _{hood})	75 kWh/a	Airbourne acoustical A-weighted sound Power Emission at minimum speed (SPE _{min})	44 dBA
Energy efficiency class (EEC)	B	Airborne acoustical A-weighted sound Power Emission at maximum speed (SPE _{max})	65 dBA
Fluid Dynamic Efficiency (FDE)	21	Time increase factor (F)	1,2
Fluid Dynamic Efficiency class (FDEC)	C	Energy Efficiency Index	69,4
Lighting Efficiency (LE)	76,1 lux/W	Measured air flow rate at best efficiency point (Q _{bep})	352 m³/h
Lighting Efficiency Class (LEC)	A	Measured air pressure at best efficiency point (P _{bep})	354 Pa
Grease Filtering Efficiency (GFE)	76 %	Measured electric power input at best efficiency point (W _{bep})	165 W
Grease Filtering Efficiency Class (GFEC)	C	Nominal Power consumption of the light system (WL)	4 W
Air flow at minumum speed (Q _{min})	240 m³/h	Average illumination of the light on the cooking surface (E _{middle})	304 lux
Air flow at maximum speed (Q _{max})	581 m³/h	Sound power level at highest setting (L _{wa})	65 dBA

Electrical Connection

Plug	Not present	Frequency (Hz)	50-60 Hz
Electrical connection rating	181 W	Power supply cable length	1500 mm
Voltage	220-240 V		



Not included accessories



KITFC500

Round Charcoal filters (kit 2 pieces)

Symbols glossary (TT)



Filters: Model has filters to help remove grease from the steam emanating from the pans during cooking.



Lights: All cooker hoods feature lights to illuminate the cooking area or add to the ambience of the kitchen.