

KSET61E

Product family	Hood
Hood Type	Telescopic Cooker Hoods
Design	Telescopic
Extraction	Ducted out or re-circulation possible
Material	Painted material
EAN code	8017709208677
Hood width	60 cm



Aesthetics

Aesthetics	Universal	Serigraphy colour	Black
Colour	Silver	Logo	Silk screen

Controls

Control setting	Slider
-----------------	--------

Technical Features

			
No. of lights	2	No. of filters	2
Light type	LED	Anti-grease filters	Aluminium
Light power	4 W	Vent outlet	150 mm
Free outlet maximum capacity	315 m ³ /h	Minimum distance from GAS hob	650 mm
Motor power	145 W	Minimum distance from ELECTRIC hob	450 mm

	Extraction rate IEC 61591 [m ³ /h]	Noise level IEC 60704-2-13 [dBA]
Speed 1	180	53
Speed 2	250	61

Speed 3	305	67
------------	-----	----

Accessories Included

Tube reduction Yes

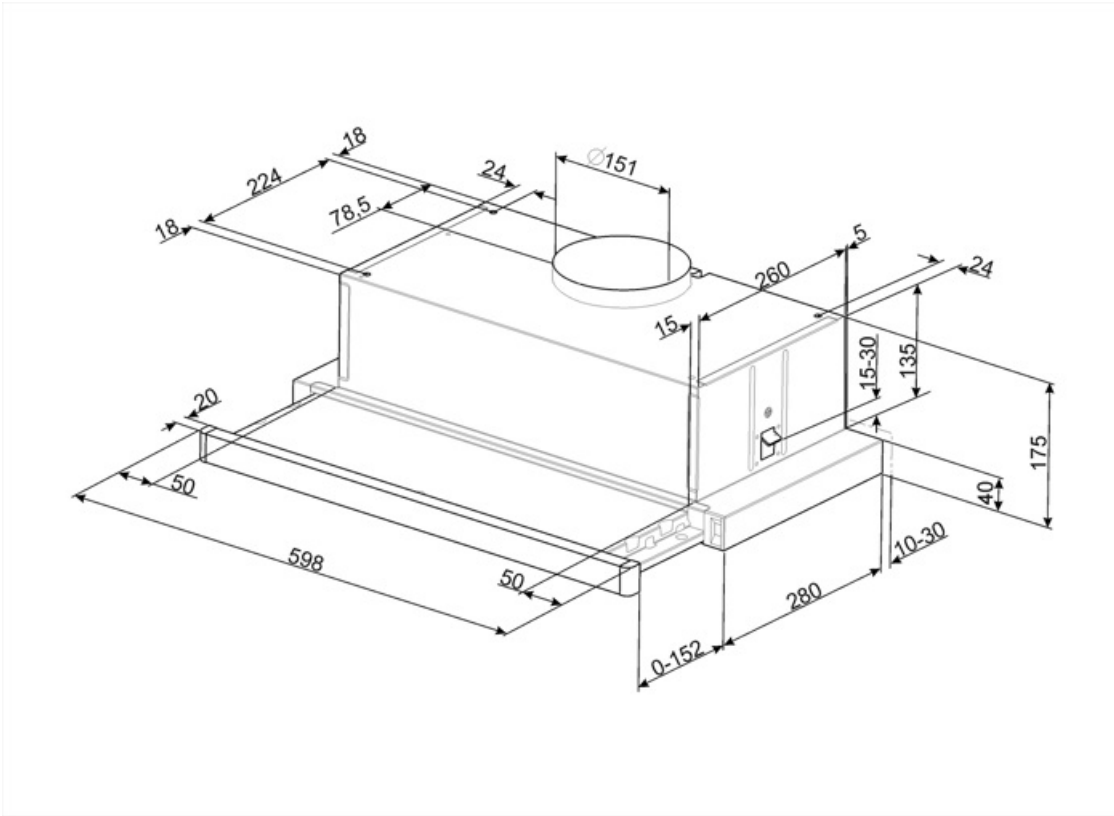
Performance / Energy Label



Annual Efficiency Consumption (AEChood)	89 KWh/year	Airbourne acoustical A-weighted sound Power Emission at minimum speed (SPEmin)	53 dBA
Energy efficiency class (EEC)	D	Airborne acoustical A-weighted sound Power Emission at maximum speed (SPEmax)	67 dBA
Fluid Dynamic Efficiency (FDE)	5,6	Time increase factor (F)	1,8
Fluid Dynamic Efficiency class (FDEC)	F	Energy Efficiency Index per first cavity	99,6
Lighting Efficiency (LE)	13 lux/W	Measured air flow rate at best efficiency point (Qbep)	170 m ³ /h
Lighting Efficiency Class (LEC)	D	Measured air pressure at best efficiency point (Qbep)	150 Pa
Grease Filtering Efficiency (GFE)	77 %	Measured electric power input at best efficiency point (Wbep)	126 W
Grease Filtering Efficiency Class (GFEC)	C	Normal Power of the light system (WI)	8 W
Air flow at minumum speed (Qmin)	180 m ³ /h	Average illumination of the light on the cooking surface (Emiddle)	100 lux
Maximum extraction rate	305 m ³ /h	Sound power level at highest setting (Lwa)	67 dBA

Electrical Connection

Nominal power	153 W	Frequency (Hz)	50 Hz
Voltage	220-240 V	Power supply cable length	1500 mm



Not included accessories



KITFC155

Charcoal filters Round Kit 2 pieces

Symbols glossary



Filters: Model has filters to help remove grease from the steam emanating from the pans during cooking.



Lights: All cooker hoods feature lights to illuminate the cooking area or add to the ambience of the kitchen.