

KSET61E2

| | |
|----------------|---------------------------------------|
| Product family | Hood |
| Hood Type | Telescopic Cooker Hoods |
| Design | Telescopic |
| Extraction | Ducted out or re-circulation possible |
| Material | Painted material |
| EAN code | 8017709274788 |
| Hood width | 60 cm |



Aesthetics

| | | | |
|------------|-----------|-------------------|-------------|
| Aesthetics | Universal | Serigraphy colour | Black |
| Colour | Silver | Logo | Silk screen |

Controls

| | |
|-----------------|--------|
| Control setting | Slider |
|-----------------|--------|

Technical Features

| | | | |
|--|---|------------------------------------|-----------|
|  |  | | |
| No. of lights | 2 | No. of filters | 2 |
| Light type | LED | Anti-grease filters | Aluminium |
| Light power | 4 W | Vent outlet | 120 mm |
| Free outlet maximum capacity | 315 m ³ /h | Minimum distance from GAS hob | 650 mm |
| Motor power | 125 W | Minimum distance from ELECTRIC hob | 450 mm |

| | Extraction rate IEC 61591 [m ³ /h] | Noise level IEC 60704-2-13 [dBA] |
|---------|---|----------------------------------|
| Speed 1 | 180 | 57 |
| Speed 2 | 220 | 62 |

| | | |
|------------|-----|----|
| Speed 3 | 310 | 67 |
|------------|-----|----|

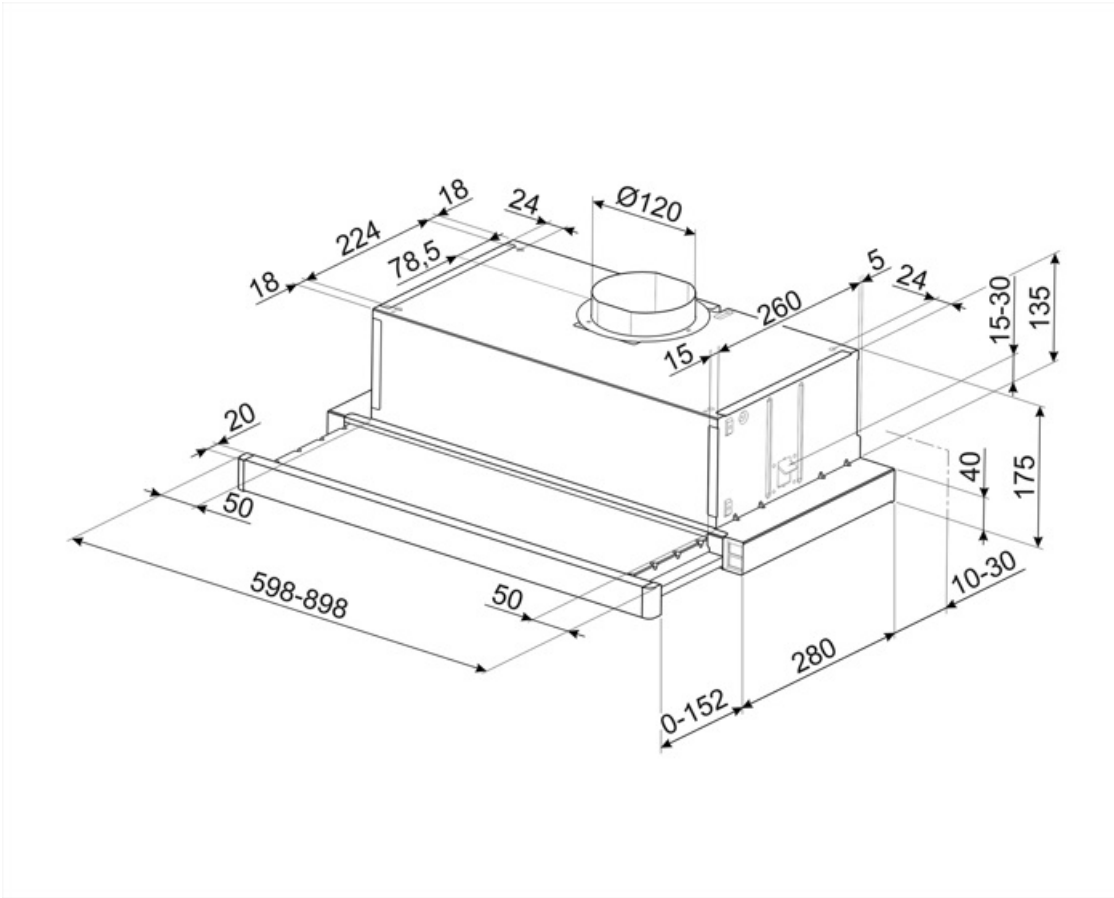
Performance / Energy Label



| | | | |
|--|-----------------------|---|-----------------------|
| Annual Efficiency Consumption (AEChood) | 70 kWh/year | Airbourne acouistical A-weighted sound Power Emission at minimum speed (SPEmin) | 57 dBA |
| Energy efficiency class (EEC) | D | Airborne acouistical A-weighted sound Power Emission at maximum speed (SPEmax) | 67 dBA |
| Fluid Dynamic Efficiency (FDE) | 8,1 | Time increase factor (F) | 1,7 |
| Fluid Dynamic Efficiency class (FDEC) | E | Energy Efficiency Index per first cavity | 91,4 |
| Lighting Efficiency (LE) | 13 lux/W | Measured air flow rate at best efficiency point (Qbep) | 164 m ³ /h |
| Lighting Efficiency Class (LEC) | D | Measured air pressure at best efficiency point (Qbep) | 183 Pa |
| Grease Filtering Efficiency (GFE) | 75,1 % | Measured electric power input at best efficiency point (Wbep) | 103 W |
| Grease Filtering Efficiency Class (GFEC) | C | Normal Power of the light system (WI) | 8 W |
| Air flow at minumum speed (Qmin) | 180 m ³ /h | Average illumination of the light on the cooking surface (Emiddle) | 100 lux |
| Maximum extraction rate | 310 m ³ /h | Sound power level at highest setting (Lwa) | 67 dBA |

Electrical Connection

| | | | |
|---------------|-----------|---------------------------|---------|
| Nominal power | 133 W | Frequency (Hz) | 50 Hz |
| Voltage | 220-240 V | Power supply cable length | 1000 mm |



Not included accessories

KITFC6191

Charcoal filter round (kit 2 pieces)



Symbols glossary



Filters: Model has filters to help remove grease from the steam emanating from the pans during cooking.



Lights: All cooker hoods feature lights to illuminate the cooking area or add to the ambience of the kitchen.