

# KSET61E2

Product family	Hood
Hood Type	Integrated (semi) hood
Design	Telescopic
Extraction	Extraction
Material	Painted material
EAN code	8017709274788
Hood width	60 cm



## Aesthetics

Aesthetic Colour	Universale Silver	Serigraphy colour Logo	Black Silk screen
------------------	-------------------	------------------------	-------------------

## Controls

Control setting	Slider
-----------------	--------

## Programs / Functions

No. of speeds	3
---------------	---

## Technical Features

			
No. of lights	2	No. of filters	2
Light type	LED	Anti-grease filters	Aluminium
Light Power	4 W	Vent outlet	120 mm
Free outlet maximum capacity	315 m <sup>3</sup> /h	Minimum distance from GAS hob	650 mm
Motor power	125 W	Minimum distance from ELECTRIC hob	450 mm

	Extraction rate IEC 61591 [m <sup>3</sup> /h]	Noise level IEC 60704-2-13 [dBA]
Speed 1	180	57
Speed 2	220	62
Speed 3	310	67

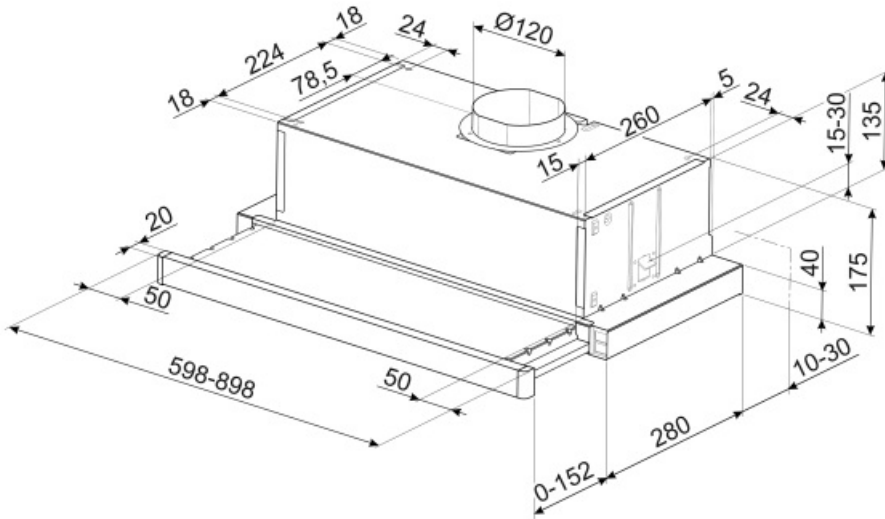
## Performance / Energy Label



Annual Efficiency Consumption (AEC <sub>hood</sub> )	70 kWh/a	Airborne acoustical A-weighted sound Power Emission at minimum speed (SPE <sub>min</sub> )	57 dBA
Energy efficiency class (EEC)	D	Airborne acoustical A-weighted sound Power Emission at maximum speed (SPE <sub>max</sub> )	67 dBA
Fluid Dynamic Efficiency (FDE)	8.1	Time increase factor (F)	1.7
Fluid Dynamic Efficiency class (FDEC)	E	Energy Efficiency Index	91.4
Lighting Efficiency (LE)	13 lux/W	Measured air flow rate at best efficiency point (Q <sub>bep</sub> )	164 m <sup>3</sup> /h
Lighting Efficiency Class (LEC)	D	Measured air pressure at best efficiency point (P <sub>bep</sub> )	183 Pa
Grease Filtering Efficiency (GFE)	75.1 %	Measured electric power input at best efficiency point (W <sub>bep</sub> )	103 W
Grease Filtering Efficiency Class (GFEC)	C	Nominal Power consumption of the light system (WL)	8 W
Air flow at minimum speed (Q <sub>min</sub> )	180 m <sup>3</sup> /h	Average illumination of the light on the cooking surface (E <sub>middle</sub> )	100 lux
Air flow at maximum speed (Q <sub>max</sub> )	310 m <sup>3</sup> /h	Sound power level at highest setting (L <sub>wa</sub> )	67 dBA

## Electrical Connection

Plug	Not present	Frequency (Hz)	50 Hz
Electrical connection rating	133 W	Power supply cable length	1000 mm
Voltage	220-240 V		



---

## Not included accessories

---

**KITFC6191**

Charcoal filter round (kit 2 pieces)



---

## Symbols glossary (TT)

---



**Filters:** Model has filters to help remove grease from the steam emanating from the pans during cooking.



**Lights:** All cooker hoods feature lights to illuminate the cooking area or add to the ambience of the kitchen.

