

KSET61E2

Product family	Hood
Hood Type	Integrated (semi) hood
Design	Telescopic
Extraction	Extraction
Material	Painted material
EAN code	8017709274788
Aesthetic	Universale
Colour	Silver
Serigraphy colour	Black
Logo	Silk screen



Controls

Control setting	Slider
-----------------	--------

Programs / Functions

No. of speeds	3
---------------	---

Technical Features

			
No. of lights	2	No. of filters	2
Light type	LED	Anti-grease filters	Aluminium
Light Power	4 W	Vent outlet	120 mm
Free outlet maximum capacity	315 m ³ /h	Minimum distance from GAS hob	650 mm
Motor power	125 W	Minimum distance from ELECTRIC hob	450 mm

	Extraction rate IEC 61591 [m ³ /h]	Noise level IEC 60704-2-13 [dBA]
Speed 1	180	57
Speed 2	220	62
Speed 3	310	67

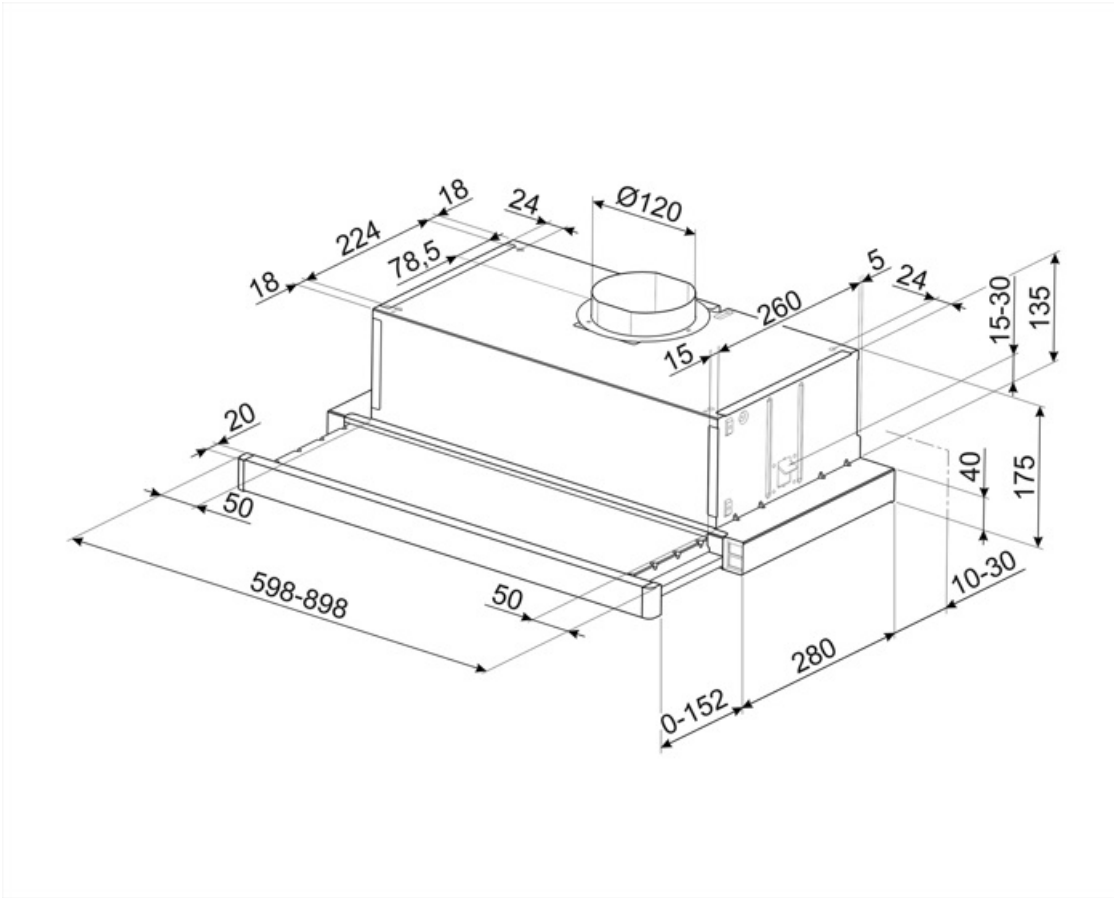
Performance / Energy Label



Annual Efficiency Consumption (AEC_{hood})	70 kWh/a	Airbourne acoustical A-weighted sound Power Emission at minimum speed (SPE_{min})	57 dBA
Energy efficiency class (EEC)	D	Airborne acoustical A-weighted sound Power Emission at maximum speed (SPE_{max})	67 dBA
Fluid Dynamic Efficiency (FDE)	8.1	Time increase factor (F)	1.7
Fluid Dynamic Efficiency class (FDEC)	E	Energy Efficiency Index	91.4
Lighting Efficiency (LE)	13 lux/W	Measured air flow rate at best efficiency point (Q_{bep})	164 m ³ /h
Lighting Efficiency Class (LEC)	D	Measured air pressure at best efficiency point (P_{bep})	183 Pa
Grease Filtering Efficiency (GFE)	75.1 %	Measured electric power input at best efficiency point (W_{bep})	103 W
Grease Filtering Efficiency Class (GFEC)	C	Nominal Power consumption of the light system (WL)	8 W
Air flow at mininum speed (Q_{min})	180 m ³ /h	Average illumination of the light on the cooking surface (E_{middle})	100 lux
Air flow at maximum speed (Q_{max})	310 m ³ /h	Sound power level at highest setting (L_{wa})	67 dBA

Electrical Connection

Plug	Not present	Frequency (Hz)	50 Hz
Electrical connection rating	133 W	Power supply cable length	1000 mm
Voltage	220-240 V		



Compatible Accessories

KITFC6191

Charcoal filter round (kit 2 pieces)



Symbols glossary



Filters: Model has filters to help remove grease from the steam emanating from the pans during cooking.



Lights: All cooker hoods feature lights to illuminate the cooking area or add to the ambience of the kitchen.

