

KSET666XE

Product family	Hood
Hood Type	Telescopic Cooker Hoods
Design	Telescopic
Extraction	Ducted out or re-circulation possible
Material	Stainless steel
Type of steel	Brushed
EAN code	8017709235116
Hood width	60 cm
Aesthetics	Universal
Colour	Silver
Serigraphy colour	Black
Logo	Silk screen



Controls

Control setting	Buttons
-----------------	---------

Program / Functions

No. of speeds	3
---------------	---

Technical Features

			
No. of lights	2	No. of filters	2
Light type	LED	Anti-grease filters	Aluminium
Light power	2,5 W	Vent outlet	150 mm
Light colour temperature scale (K)	3500 K	Minimum distance from GAS hob	650 mm
Free outlet maximum capacity	664 m ³ /h	Minimum distance from ELECTRIC hob	430 mm
Motor power	200 W	Non return valve	Yes

	Extraction rate IEC 61591 [m ³ /h]	Noise level IEC 60704-2-13 [dBA]
Speed 1	256	46
Speed 2	377	55

Speed 3	647	67
------------	-----	----

Accessories Included

Tube reduction Yes

Performance / Energy Label



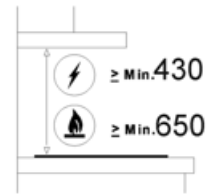
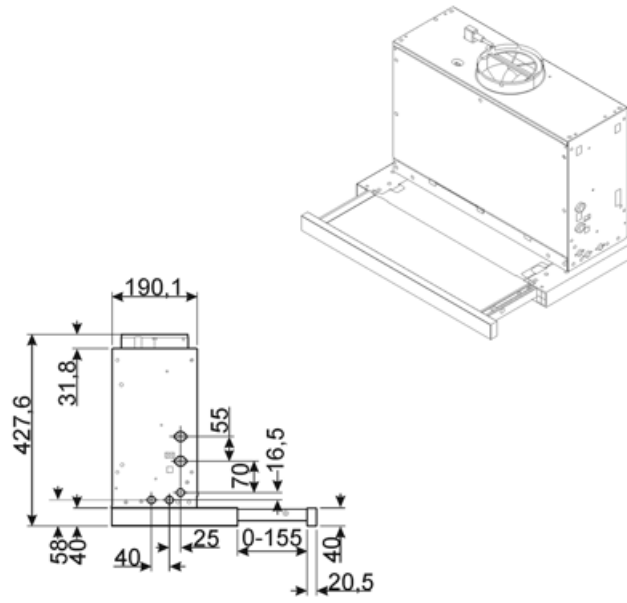
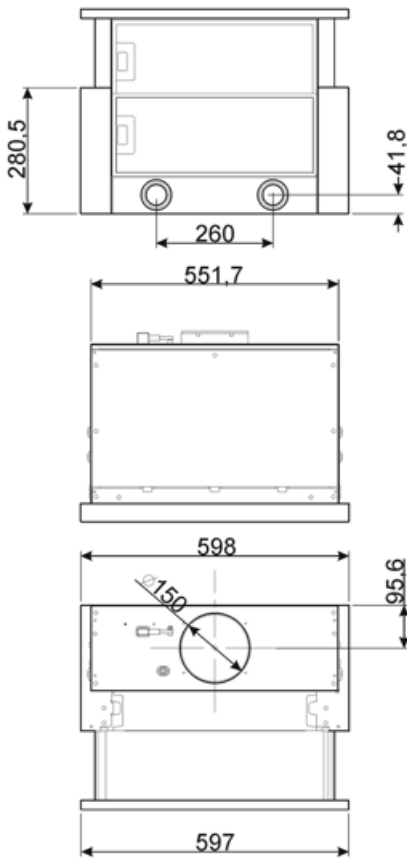
Annual Efficiency Consumption (AEChood)	39 kWh/year	Airbourne acoustical A-weighted sound Power Emission at minimum speed (SPEmin)	46 dBA
Energy efficiency class (EEC)	A	Airborne acoustical A-weighted sound Power Emission at maximum speed (SPEmax)	67 dBA
Fluid Dynamic Efficiency (FDE)	33,5	Time increase factor (F)	1,00
Fluid Dynamic Efficiency class (FDEC)	A	Measured air flow rate at best efficiency point (Qbep)	336 m ³ /h
Lighting Efficiency (LE)	29 lux/W	Measured air pressure at best efficiency point (Qbep)	434 Pa
Lighting Efficiency Class (LEC)	A	Measured electric power input at best efficiency point (Wbep)	121 W
Grease Filtering Efficiency (GFE)	66 %	Normal Power of the light system (WI)	5 W
Grease Filtering Efficiency Class (GFEC)	D	Average illumination of the light on the cooking surface (Emiddle)	145 lux
Air flow at minumum speed (Qmin)	256 m ³ /h	Sound power level at highest setting (Lwa)	67 dBA
Maximum extraction rate	647 m ³ /h		

Electrical Connection

Nominal power	205 W	Power supply cable length	1500 mm
Voltage	220-240 V	Plug	No
Frequency (Hz)	50-60 Hz		

Optional accessories

Charcoal filter	KITFC400	Non return valve	Yes
-----------------	----------	------------------	-----



Compatible Accessories



KITFC400

Charcoal filters Kit 2 pieces

Symbols glossary



Filters: Model has filters to help remove grease from the steam emanating from the pans during cooking.



Lights: All cooker hoods feature lights to illuminate the cooking area or add to the ambience of the kitchen.



A: Product drying performance, measured from A+++ to D / G depending on the product family