

KSET66E

Product family	Hood
Hood Type	Telescopic Cooker Hoods
Design	Telescopic
Extraction	Ducted out or re-circulation possible
Material	Stainless steel
Type of steel	Brushed
EAN code	8017709203436
Aesthetics	Universal
Colour	Stainless steel
Finishing	Brushed
Serigraphy colour	Black
Logo	Silk screen



Controls

Control setting	Slider
-----------------	--------

Program / Functions

No. of speeds	3
---------------	---

Technical Features



No. of lights	2	Anti-grease filters	Aluminium
Light type	LED	Vent outlet	150 mm
Light power	1 W	Minimum distance from GAS hob	750 mm
Free outlet maximum capacity	620 m ³ /h	Minimum distance from ELECTRIC hob	650 mm
Motor power	140 W	Non return valve	Yes
No. of filters	2		

	Extraction rate IEC 61591 [m ³ /h]	Noise level IEC 60704-2-13 [dBA]
Speed 1	295	52
Speed 2	435	61
Speed 3	580	68

Performance / Energy Label



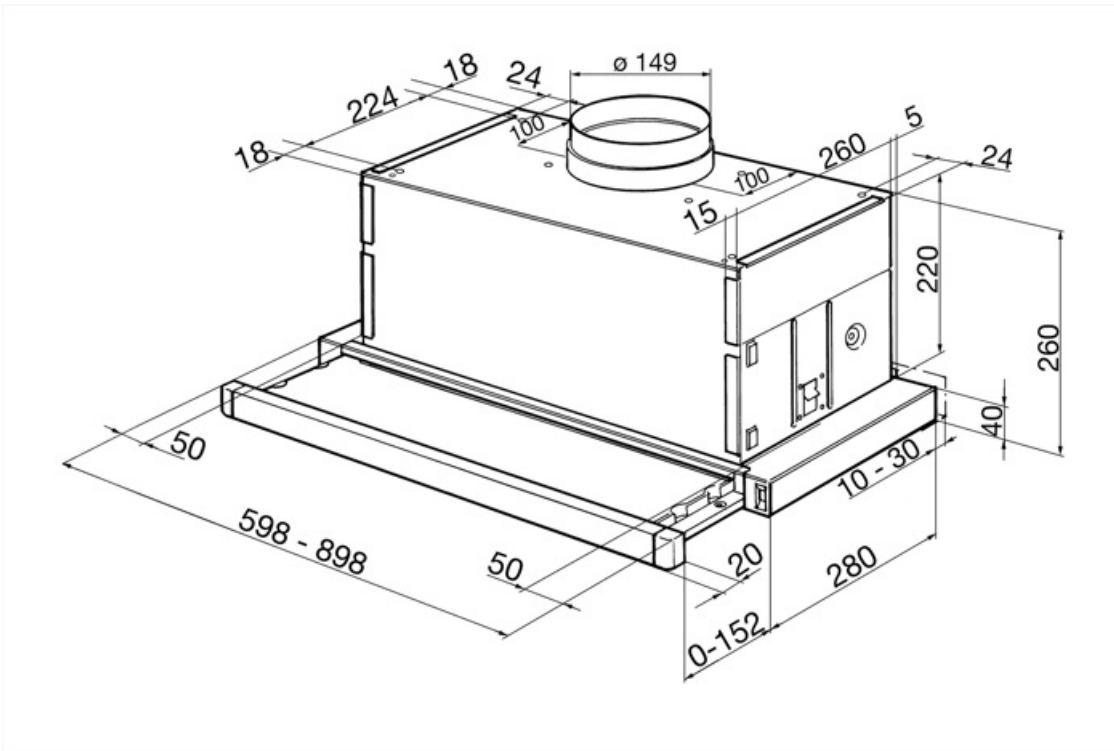
Annual Efficiency Consumption (AEChood)	78 KWh/year	Airbourne acouistical A-weighted sound Power Emission at minimum speed (SPEmin)	52 dBA
Energy efficiency class (EEC)	C	Airborne acouistical A-weighted sound Power Emission at maximum speed (SPEmax)	68 dBA
Fluid Dynamic Efficiency (FDE)	14,4	Time increase factor (F)	1,5
Fluid Dynamic Efficiency class (FDEC)	D	Energy Efficiency Index per first cavity	83,5
Lighting Efficiency (LE)	59 lux/W	Measured air flow rate at best efficiency point (Qbep)	322 m ³ /h
Lighting Efficiency Class (LEC)	A	Measured air pressure at best efficiency point (Qbep)	224 Pa
Grease Filtering Efficiency (GFE)	76 %	Measured electric power input at best efficiency point (Wbep)	139 W
Grease Filtering Efficiency Class (GFEC)	C	Normal Power of the light system (WI)	2 W
Air flow at minumum speed (Qmin)	295 m ³ /h	Average illumination of the light on the cooking surface (Emiddle)	130 lux
Maximum extraction rate	580 m ³ /h	Sound power level at highest setting (Lwa)	68 dBA

Electrical Connection

Nominal power	142 W	Frequency (Hz)	50-60 Hz
Voltage	220-240 V	Power supply cable length	1500 mm

Also available

Alternative colours available	White, Black, Silver Glass	Available colours	KSET66VBE - KSET66VNE - KSET66VSE
--------------------------------------	----------------------------	--------------------------	-----------------------------------



Compatible Accessories

KITFC152

Charcoal filters Round Kit 2 pieces



Symbols glossary



Filters: Model has filters to help remove grease from the steam emanating from the pans during cooking.



Lights: All cooker hoods feature lights to illuminate the cooking area or add to the ambience of the kitchen.