

KSET66VBE2

Product family	Hood
Hood Type	Telescopic Cooker Hoods
Design	Telescopic
Extraction	Ducted out or re-circulation possible
Material	Stainless steel
Type of steel	Brushed
EAN code	8017709256906
Hood width	60 cm



Aesthetics

Aesthetics	Linea	Glass Type	White
Colour	Stainless steel	Serigraphy colour	Black
Finishing	Brushed	Logo	Silk screen

Controls

Control setting	Slider
-----------------	--------

Technical Features

		No. of lights	2	Anti-grease filters	Aluminium
		Light type	LED	Vent outlet	150 mm
		Light power	1 W	Minimum distance from GAS hob	650 mm
		Free outlet maximum capacity	620 m ³ /h	Minimum distance from ELECTRIC hob	650 mm
		Motor power	140 W	Non return valve	Yes
		No. of filters	2		

	Extraction rate IEC 61591 [m ³ /h]	Noise level IEC 60704-2-13 [dBA]
Speed 1	295	52
Speed 2	435	61

Speed 3	580	68
------------	-----	----

Performance / Energy Label



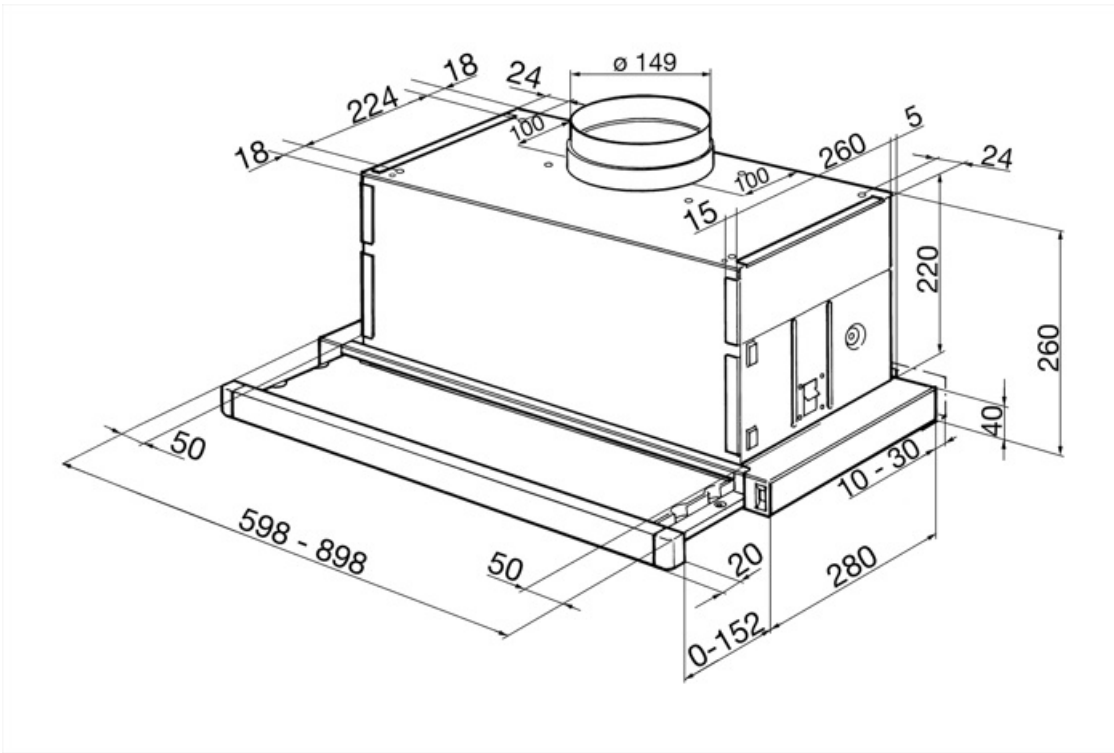
Annual Efficiency Consumption (AEChood)	78 kWh/year	Airbourne acoustical A-weighted sound Power Emission at minimum speed (SPEmin)	52 dBA
Energy efficiency class (EEC)	C	Airborne acoustical A-weighted sound Power Emission at maximum speed (SPEmax)	68 dBA
Fluid Dynamic Efficiency (FDE)	14,4	Time increase factor (F)	1,5
Fluid Dynamic Efficiency class (FDEC)	D	Energy Efficiency Index per first cavity	83,5
Lighting Efficiency (LE)	59 lux/W	Measured air flow rate at best efficiency point (Qbep)	322 m ³ /h
Lighting Efficiency Class (LEC)	A	Measured air pressure at best efficiency point (Qbep)	224 Pa
Grease Filtering Efficiency (GFE)	76 %	Measured electric power input at best efficiency point (Wbep)	139 W
Grease Filtering Efficiency Class (GFEC)	C	Normal Power of the light system (WI)	2 W
Air flow at minumum speed (Qmin)	295 m ³ /h	Average illumination of the light on the cooking surface (Emiddle)	130 lux
Maximum extraction rate	580 m ³ /h	Sound power level at highest setting (Lwa)	68 dBA

Electrical Connection

Nominal power	142 W	Frequency (Hz)	50-60 Hz
Voltage	220-240 V	Power supply cable length	1500 mm

Also available

Alternative colours available	Black, Stainless steel, Silver Glass	Available colours	KSET66VNE2 - KSET66E - KSET66VSE2
-------------------------------	--------------------------------------	-------------------	-----------------------------------



Not included accessories

KITFC152

Charcoal filters Round Kit 2 pieces



Symbols glossary



Filters: Model has filters to help remove grease from the steam emanating from the pans during cooking.



Lights: All cooker hoods feature lights to illuminate the cooking area or add to the ambience of the kitchen.