

KSET86LX3

Product family	Hood
Hood Type	Integrated (semi) hood
Design	Visible front panel
Extraction	Extraction
Material	Stainless steel
Type of steel	Brushed
EAN code	8017709333645
Hood width	86 cm
Aesthetic	Universale
Colour	Stainless steel
Finishing	Satin
Glass Type	Clear
Serigraphy colour	Black
Logo	Silk screen





Controls

Control setting	Slider
-----------------	--------

Program / Functions

No. of speeds	3
---------------	---

Technical Features

			
No. of lights	2	No. of filters	2
Light type	LED	Anti-grease filters	Aluminium
Light Power	6 W	Vent outlet	120 mm
Light color temperature scale (K)	2700 K	Minimum distance from GAS hob	650 mm
Free outlet maximum capacity	237 m ³ /h	Minimum distance from ELECTRIC hob	500 mm
Motor power	75 W		

	Extraction rate IEC 61591 [m ³ /h]	Noise level IEC 60704-2-13 [dBA]
Speed 1	132	44
Speed 2	165	43

Speed 3	230	53
------------	-----	----

Accessories included

Tube reduction Yes

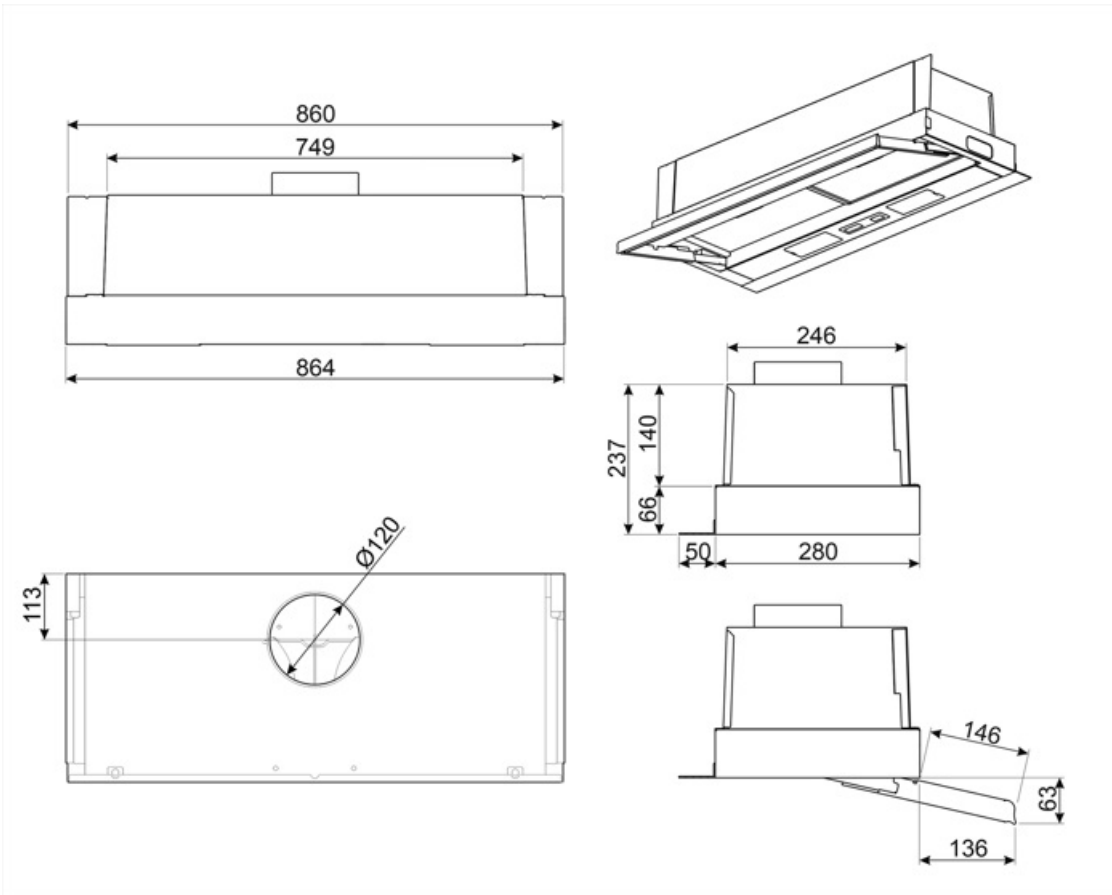
Performance / Energy Label



Annual Efficiency Consumption (AEChood)	49 kWh/a	Airbourne acoustical A-weighted sound Power Emission at minimum speed (SPEmin)	47 dBA
Energy efficiency class (EEC)	C	Airborne acoustical A-weighted sound Power Emission at maximum speed (SPEmax)	55 dBA
Fluid Dynamic Efficiency (FDE)	8,4	Time increase factor (F)	1,7
Fluid Dynamic Efficiency class (FDEC)	E	Energy Efficiency Index	84,1
Lighting Efficiency (LE)	20,1 lux/W	Measured air flow rate at best efficiency point (Qbep)	135 m³/h
Lighting Efficiency Class (LEC)	B	Measured air pressure at best efficiency point (Pbep)	160 Pa
Grease Filtering Efficiency (GFE)	65,1 %	Measured electric power input at best efficiency point (Wbep)	72 W
Grease Filtering Efficiency Class (GFEC)	D	Nominal Power consumption of the light system (WL)	6 W
Air flow at minumum speed (Qmin)	130 m³/h	Average illumination of the light on the cooking surface (Emiddle)	121 lux
Air flow at maximum speed (Qmax)	225 m³/h	Sound power level at highest setting (Lwa)	55 dBA

Electrical Connection

Electrical connection rating	81 W	Power supply cable length	1500 mm
Voltage	220-240 V	Plug	Not present
Frequency (Hz)	50-60 Hz		



Compatible Accessories

KITFC62

Charcoal filter round (kit 2 pieces)



Symbols glossary



Filters: Model has filters to help remove grease from the steam emanating from the pans during cooking.



Lights: All cooker hoods feature lights to illuminate the cooking area or add to the ambience of the kitchen.