

KSET92E

Product family	Hood
Hood Type	Integrated (semi) hood
Design	Telescopic
Extraction	Extraction
Material	Painted material
EAN code	8017709235598
Hood width	90 cm



Aesthetics

Aesthetic Colour	Universale Silver	Serigraphy colour Logo	Black Silk screen
------------------	-------------------	------------------------	-------------------

Controls

Control setting	Buttons
-----------------	---------

Technical Features

			
No. of lights	2	No. of filters	2
Light type	LED	Anti-grease filters	Aluminium
Light Power	3 W	Vent outlet	120 mm
Light color temperature scale (°K)	2700 °K	Minimum distance from GAS hob	650 mm
Free outlet maximum capacity	302 m ³ /h	Minimum distance from ELECTRIC hob	500 mm
Motor power	115 W	Non return valve	Yes

	Extraction rate IEC 61591 [m ³ /h]	Noise level IEC 60704-2-13 [dBA]
Speed 1	125	46
Speed 2	160	48

Speed 3	304	62
------------	-----	----

Performance / Energy Label



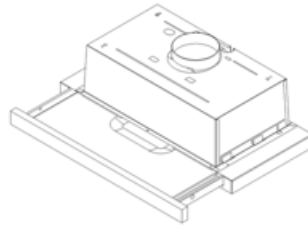
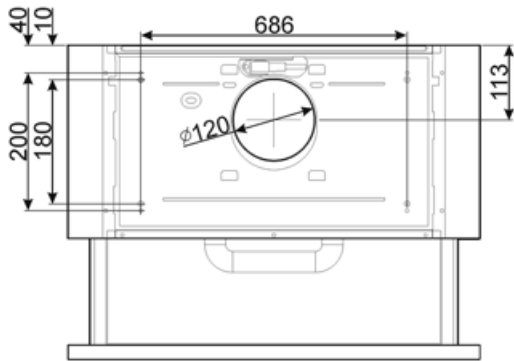
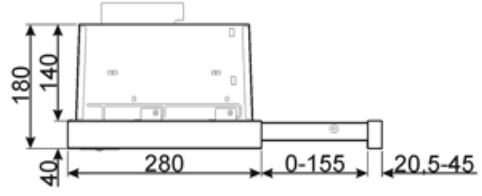
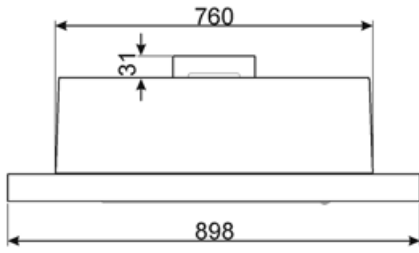
Annual Efficiency Consumption (AEChood)	62 kWh/a	Airbourne acoustical A-weighted sound Power Emission at minimum speed (SPEmin)	46 dBA
Energy efficiency class (EEC)	D	Airborne acoustical A-weighted sound Power Emission at maximum speed (SPEmax)	62 dBA
Fluid Dynamic Efficiency (FDE)	10,3	Time increase factor (F)	1,6
Fluid Dynamic Efficiency class (FDEC)	E	Measured air flow rate at best efficiency point (Qbep)	199 m ³ /h
Lighting Efficiency (LE)	13 lux/W	Measured air pressure at best efficiency point (Pbep)	187 Pa
Lighting Efficiency Class (LEC)	D	Measured electric power input at best efficiency point (Wbep)	99 W
Grease Filtering Efficiency (GFE)	66 %	Nominal Power consumption of the light system (WL)	6 W
Grease Filtering Efficiency Class (GFEC)	D	Average illumination of the light on the cooking surface (Emiddle)	78 lux
Air flow at minumum speed (Qmin)	125 m ³ /h	Sound power level at highest setting (Lwa)	62 dBA
Air flow at maximum speed (Qmax)	304 m ³ /h		

Electrical Connection

Plug	Not present	Frequency (Hz)	50-60 Hz
Electrical connection rating	121 W	Power supply cable length	1500 mm
Voltage	220-240 V		

Optional accessories

Charcoal filter	KITFC62
------------------------	---------



Not included accessories

KITFC62

Charcoal filter round (kit 2 pieces)



Symbols glossary (TT)



Filters: Model has filters to help remove grease from the steam emanating from the pans during cooking.



Lights: All cooker hoods feature lights to illuminate the cooking area or add to the ambience of the kitchen.

