

KSET9XE2

Product family	Hood
Hood Type	Integrated (semi) hood
Design	Telescopic
Extraction	Extraction
Material	Stainless steel
Type of steel	Brushed
EAN code	8017709279943
Hood width	90 cm



Aesthetics

Aesthetic Colour	Universale Silver	Serigraphy colour Logo	Black Silk screen
------------------	-------------------	------------------------	-------------------

Controls

Control setting	Slider
-----------------	--------

Technical Features

			
No. of lights	2	No. of filters	2
Light type	LED	Anti-grease filters	Aluminium
Light Power	4 W	Vent outlet	120 mm
Light color temperature scale (°K)	3000 °K	Minimum distance from GAS hob	650 mm
Free outlet maximum capacity	520 m ³ /h	Minimum distance from ELECTRIC hob	450 mm
Motor power	230 W		

	Extraction rate IEC 61591 [m ³ /h]	Noise level IEC 60704-2-13 [dBA]
Speed 1	270	53
Speed 2	360	58

Speed 3	500	66
------------	-----	----

Accessories Included

Tube reduction Yes

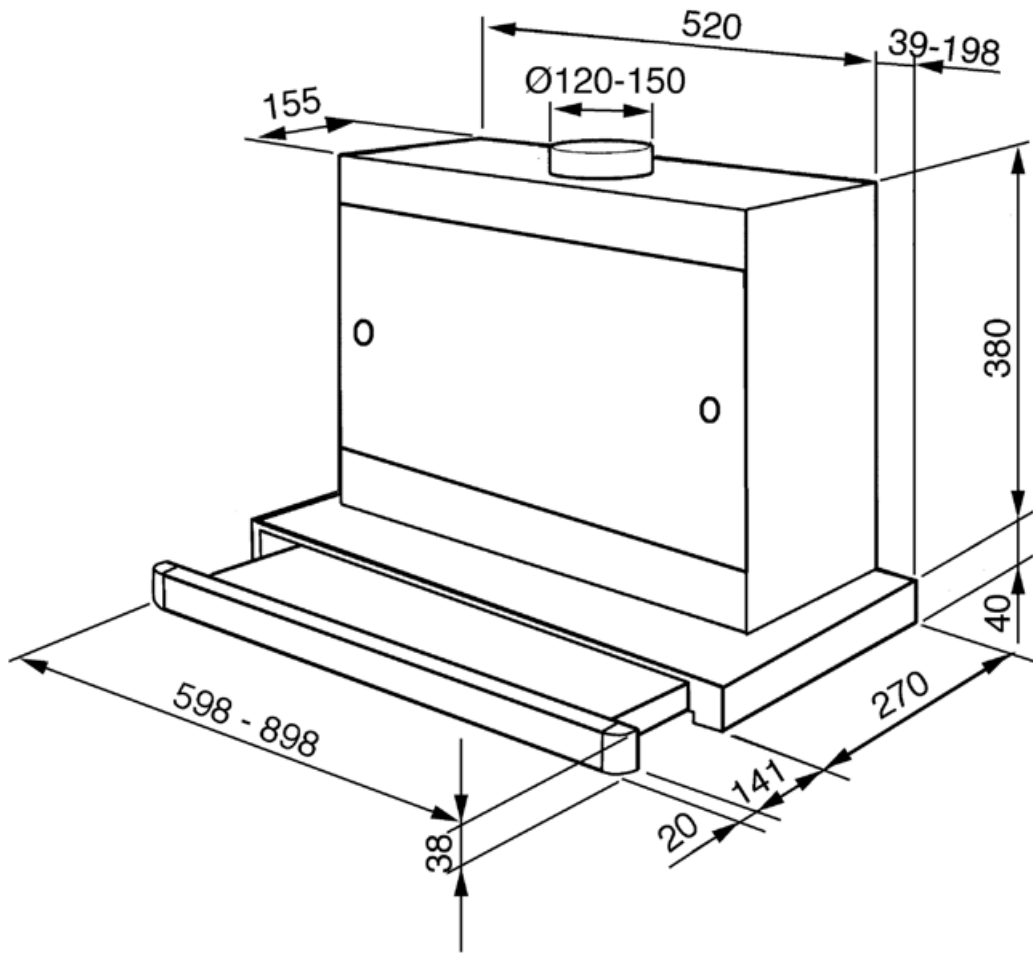
Performance / Energy Label



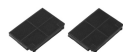
Annual Efficiency Consumption (AEChood)	127 kWh/a	Airbourne acoustical A-weighted sound Power Emission at minimum speed (SPEmin)	53 dBA
Energy efficiency class (EEC)	D	Airborne acoustical A-weighted sound Power Emission at maximum speed (SPEmax)	66 dBA
Fluid Dynamic Efficiency (FDE)	9,8	Time increase factor (F)	1,6
Fluid Dynamic Efficiency class (FDEC)	E	Energy Efficiency Index	94,8
Lighting Efficiency (LE)	16 lux/W	Measured air flow rate at best efficiency point (Qbep)	306 m³/h
Lighting Efficiency Class (LEC)	D	Measured air pressure at best efficiency point (Pbep)	238 Pa
Grease Filtering Efficiency (GFE)	75,1 %	Measured electric power input at best efficiency point (Wbep)	207 W
Grease Filtering Efficiency Class (GFEC)	C	Nominal Power consumption of the light system (WL)	8 W
Air flow at mininum speed (Qmin)	270 m³/h	Average illumination of the light on the cooking surface (Emiddle)	130 lux
Air flow at maximum speed (Qmax)	500 m³/h	Sound power level at highest setting (Lwa)	66 dBA

Electrical Connection

Plug	Not present	Frequency (Hz)	50 Hz
Electrical connection rating	238 W	Power supply cable length	1500 mm
Voltage	220-240 V		



Not included accessories



KITFC156

Charcoal filters Kit 2 pieces

Symbols glossary (TT)



Filters: Model has filters to help remove grease from the steam emanating from the pans during cooking.



Lights: All cooker hoods feature lights to illuminate the cooking area or add to the ambience of the kitchen.