

KSET9XE2

Product family	Hood
Hood Type	Integrated (semi) hood
Design	Telescopic
Extraction	Extraction
Material	Stainless steel
Type of steel	Brushed
EAN code	8017709279943
Hood width	90 cm



Aesthetics

Aesthetic Colour	Universale Silver	Serigraphy colour Logo	Black Silk screen
------------------	-------------------	------------------------	-------------------

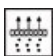
Controls

Control setting	Slider
-----------------	--------

Programme / Functions

No. of speeds	3
---------------	---

Technical Features

			
No. of lights	2	No. of filters	2
Light type	LED	Anti-grease filters	Aluminium
Light Power	4 W	Vent outlet	120 mm
Light color temperature scale (°K)	3000 °K	Minimum distance from GAS hob	650 mm
Free outlet maximum capacity	520 m ³ /h	Minimum distance from ELECTRIC hob	450 mm
Motor power	230 W		

	Extraction rate IEC 61591 [m ³ /h]	Noise level IEC 60704-2-13 [dB(A)]
Speed 1	270	53
Speed 2	360	58
Speed 3	500	66

Accessories Included

Tube reduction Yes

Performance / Energy Label



Annual Efficiency Consumption (AEChood) 127 kWh/a

Energy efficiency class (EEC) D

Fluid Dynamic Efficiency (FDE) 9.8

Fluid Dynamic Efficiency class (FDEC) E

Lighting Efficiency (LE) 16 lux/W

Lighting Efficiency Class (LEC) D

Grease Filtering Efficiency (GFE) 75.1 %

Grease Filtering Efficiency Class (GFEC) C

Air flow at minimum speed (Qmin) 270 m³/h

Air flow at maximum speed (Qmax) 500 m³/h

Airbourne acoustical A-weighted sound Power Emission at minimum speed (SPEmin) 53 dB(A)

Airborne acoustical A-weighted sound Power Emission at maximum speed (SPEmax) 66 dB(A)

Time increase factor (F) 1.6

Energy Efficiency Index 94.8

Measured air flow rate at best efficiency point (Qbep) 306 m³/h

Measured air pressure at best efficiency point (Pbep) 238 Pa

Measured electric power input at best efficiency point (Wbep) 207 W

Nominal Power consumption of the light system (WL) 8 W

Average illumination of the light on the cooking surface (Emiddle) 130 lux

Sound power level at highest setting (Lwa) 66 dB(A)

Electrical Connection

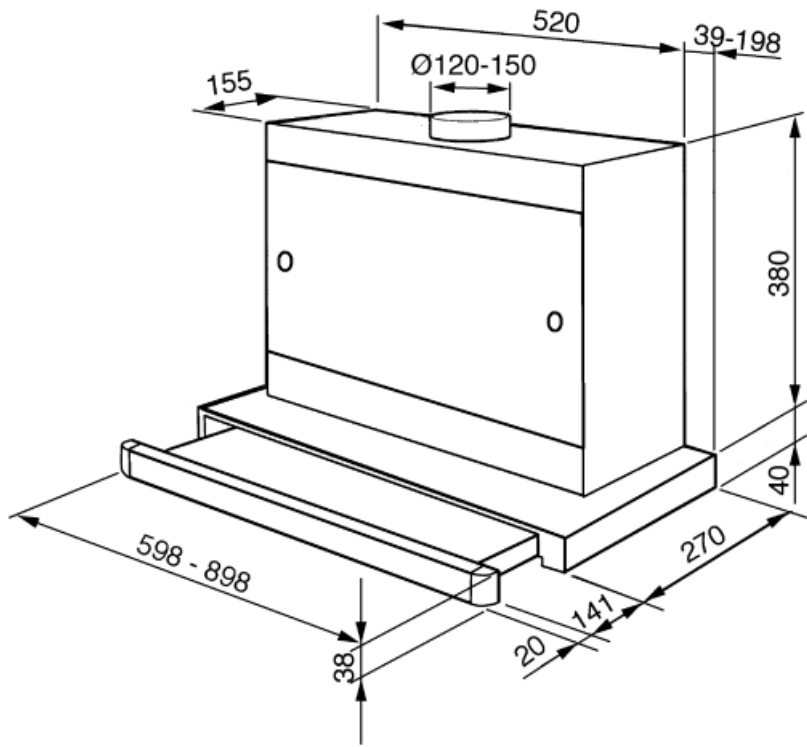
Plug Not present

Electrical connection rating 238 W

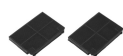
Voltage 220-240 V

Frequency (Hz) 50 Hz

Power supply cable length 1500 mm



Not included accessories



KITFC156

Charcoal filters Kit 2 pieces

Symbols glossary (TT)



Filters: Model has filters to help remove grease from the steam emanating from the pans during cooking.



Lights: All cooker hoods feature lights to illuminate the cooking area or add to the ambience of the kitchen.

